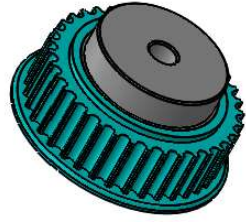
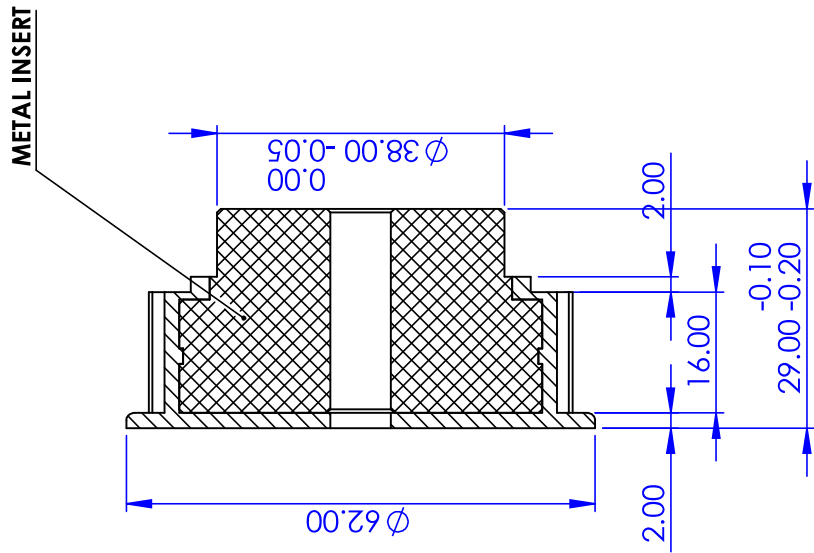
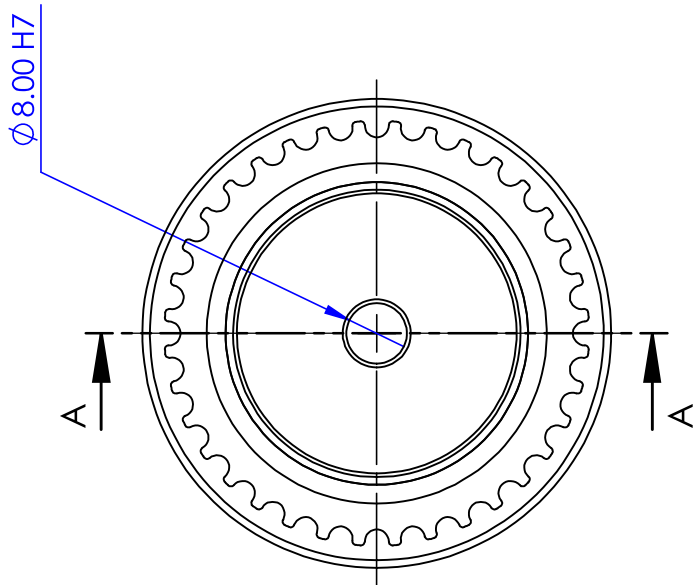


6 5 4 3 2 1

D C B



SECTION A-A

GENERAL TOLERANCES FOR DIMENSIONS AND FORM POSITION (Ref. ISO 2768 sk)			DEVIATIONS FOR RADI AND CHAMFERS RANGE OF NOMINAL DIMENSIONS			DEVIATIONS FOR GEOMETRY			NAME	DATE	TUFF PLAST PUNE PVT. LTD.	
DEVIATIONS FOR LINEAR DIMENSIONS		DEVIATIONS FOR ANGULAR DIMENSIONS		DEVIATIONS FOR RADI AND CHAMFERS		DEVIATIONS FOR GEOMETRY			MANOJ	17/12/21	DATE	REVISION
RANGE OF NOMINAL DIMENSIONS	ABOVE	UPTO	RANGE OF NOMINAL DIMENSIONS	ABOVE	UPTO	ABOVE	UPTO	APPROX.	MILLIND	17/12/21	MODEL NAME	
0.5 3	±0.1	±0.2	±0.5	±1	±2	10	30	100	300	1000	36-5M pulley-insert	
3 6	±0.2	±0.3	±0.5	±1	±2	10	30	100	300	1000	36-5M pulley-insert	
6 30	±0.3	±0.5	±0.8	±1.2	±2	10	30	100	300	1000	36-5M pulley-insert	
30 120	±0.5	±0.8	±1.2	±2	±3	10	30	100	300	1000	36-5M pulley-insert	
120 315	±0.8	±1.2	±2	±3	±4	10	30	100	300	1000	36-5M pulley-insert	
315 1000	±1.2	±2	±3	±4	±6	10	30	100	300	1000	36-5M pulley-insert	
1000 2000	±1.5	±2.5	±4	±6	±10	10	30	100	300	1000	36-5M pulley-insert	
2000 4000	±2	±3.5	±6	±10	±15	10	30	100	300	1000	36-5M pulley-insert	
4000 10000	±3	±5.5	±10	±15	±25	10	30	100	300	1000	36-5M pulley-insert	
10000 20000	±4	±7	±15	±20	±30	10	30	100	300	1000	36-5M pulley-insert	
20000 40000	±5	±9	±20	±25	±40	10	30	100	300	1000	36-5M pulley-insert	
40000 100000	±7	±13	±30	±40	±60	10	30	100	300	1000	36-5M pulley-insert	
100000 200000	±10	±18	±45	±60	±90	10	30	100	300	1000	36-5M pulley-insert	
200000 400000	±15	±25	±60	±80	±120	10	30	100	300	1000	36-5M pulley-insert	
400000 1000000	±20	±35	±90	±120	±180	10	30	100	300	1000	36-5M pulley-insert	
1000000 2000000	±25	±45	±120	±160	±240	10	30	100	300	1000	36-5M pulley-insert	
2000000 4000000	±35	±60	±160	±210	±320	10	30	100	300	1000	36-5M pulley-insert	
4000000 10000000	±50	±85	±220	±290	±420	10	30	100	300	1000	36-5M pulley-insert	
10000000 20000000	±70	±120	±300	±400	±600	10	30	100	300	1000	36-5M pulley-insert	
20000000 40000000	±100	±170	±450	±600	±900	10	30	100	300	1000	36-5M pulley-insert	
40000000 100000000	±150	±250	±650	±850	±1300	10	30	100	300	1000	36-5M pulley-insert	
100000000 200000000	±200	±350	±900	±1200	±1800	10	30	100	300	1000	36-5M pulley-insert	
200000000 400000000	±280	±480	±1250	±1700	±2500	10	30	100	300	1000	36-5M pulley-insert	
400000000 1000000000	±400	±680	±1750	±2300	±3500	10	30	100	300	1000	36-5M pulley-insert	
1000000000 2000000000	±550	±950	±2400	±3200	±4800	10	30	100	300	1000	36-5M pulley-insert	
2000000000 4000000000	±750	±1300	±3300	±4400	±6600	10	30	100	300	1000	36-5M pulley-insert	
4000000000 10000000000	±1100	±1900	±4500	±6000	±9000	10	30	100	300	1000	36-5M pulley-insert	
10000000000 20000000000	±1500	±2600	±6000	±8000	±12000	10	30	100	300	1000	36-5M pulley-insert	
20000000000 40000000000	±2100	±3600	±8250	±11000	±16500	10	30	100	300	1000	36-5M pulley-insert	
40000000000 100000000000	±2900	±5000	±11250	±15000	±22500	10	30	100	300	1000	36-5M pulley-insert	
100000000000 200000000000	±4000	±7000	±15000	±20000	±30000	10	30	100	300	1000	36-5M pulley-insert	
200000000000 400000000000	±5500	±9500	±20250	±27000	±40500	10	30	100	300	1000	36-5M pulley-insert	
400000000000 1000000000000	±7500	±13000	±27000	±36000	±54000	10	30	100	300	1000	36-5M pulley-insert	
1000000000000 2000000000000	±10500	±18000	±36750	±48000	±72000	10	30	100	300	1000	36-5M pulley-insert	
2000000000000 4000000000000	±14500	±25000	±49500	±66000	±99000	10	30	100	300	1000	36-5M pulley-insert	
4000000000000 10000000000000	±20000	±35000	±67500	±90000	±135000	10	30	100	300	1000	36-5M pulley-insert	
10000000000000 20000000000000	±28000	±48000	±94500	±126000	±189000	10	30	100	300	1000	36-5M pulley-insert	
20000000000000 40000000000000	±39000	±67000	±131250	±174000	±261000	10	30	100	300	1000	36-5M pulley-insert	
40000000000000 100000000000000	±53000	±92000	±181250	±240000	±360000	10	30	100	300	1000	36-5M pulley-insert	
100000000000000 200000000000000	±73000	±127000	±251250	±336000	±504000	10	30	100	300	1000	36-5M pulley-insert	
200000000000000 400000000000000	±100000	±175000	±341250	±456000	±684000	10	30	100	300	1000	36-5M pulley-insert	
400000000000000 1000000000000000	±140000	±245000	±472500	±624000	±936000	10	30	100	300	1000	36-5M pulley-insert	
1000000000000000 2000000000000000	±195000	±340000	±637500	±840000	±1260000	10	30	100	300	1000	36-5M pulley-insert	
2000000000000000 4000000000000000	±270000	±470000	±912500	±1200000	±1800000	10	30	100	300	1000	36-5M pulley-insert	
4000000000000000 10000000000000000	±370000	±650000	±1262500	±1680000	±2520000	10	30	100	300	1000	36-5M pulley-insert	
10000000000000000 20000000000000000	±510000	±890000	±1712500	±2280000	±3420000	10	30	100	300	1000	36-5M pulley-insert	
20000000000000000 40000000000000000	±700000	±1240000	±2412500	±3200000	±4800000	10	30	100	300	1000	36-5M pulley-insert	
40000000000000000 100000000000000000	±960000	±1700000	±3225000	±4240000	±6360000	10	30	100	300	1000	36-5M pulley-insert	
100000000000000000 200000000000000000	±1320000	±2320000	±4425000	±5840000	±8760000	10	30	100	300	1000	36-5M pulley-insert	
200000000000000000 400000000000000000	±1800000	±3200000	±5925000	±7840000	±11760000	10	30	100	300	1000	36-5M pulley-insert	
400000000000000000 1000000000000000000	±2450000	±4300000	±8025000	±10640000	±15960000	10	30	100	300	1000	36-5M pulley-insert	
1000000000000000000 2000000000000000000	±3350000	±5900000	±10725000	±14240000	±21540000	10	30	100	300	1000	36-5M pulley-insert	
2000000000000000000 4000000000000000000	±4600000	±8100000	±14525000	±19240000	±28860000	10	30	100	300	1000	36-5M pulley-insert	
4000000000000000000 10000000000000000000	±6300000	±11100000	±19625000	±26040000	±39060000	10	30	100	300	1000	36-5M pulley-insert	
10000000000000000000 20000000000000000000	±8600000	±15300000	±26625000	±35240000	±52860000	10	30	100	300	1000	36-5M pulley-insert	
20000000000000000000 40000000000000000000	±11600000	±20700000	±35625000	±47040000	±70560000	10	30	100	300	1000	36-5M pulley-insert	
40000000000000000000 100000000000000000000	±15800000	±28300000	±48125000	±63640000	±95460000	10	30	100	300	1000	36-5M pulley-insert	
100000000000000000000 200000000000000000000	±21600000	±38700000	±64125000	±85040000	±127560000	10	30	100	300	1000	36-5M pulley-insert	
200000000000000000000 400000000000000000000	±29400000	±52100000	±85625000	±112840000	±170160000	10	30	100	300	1000	36-5M pulley-insert	
400000000000000000000 1000000000000000000000	±40000000	±71700000	±114125000	±150440000	±225660000	10	30	100	300	1000	36-5M pulley-insert	
1000000000000000000000 2000000000000000000000	±54600000	±98100000	±151625000	±200440000	±300660000	10	30	100	300	1000	36-5M pulley-insert	
2000000000000000000000 4000000000000000000000	±74400000	±135300000	±202625000	±267440000	±401160000	10	30	100	300	1000	36-5M pulley-insert	
4000000000000000000000 10000000000000000000000	±101000000	±183300000	±269625000	±357440000	±535660000	10	30	100	300	1000	36-5M pulley-insert	
10000000000000000000000 20000000000000000000000	±137400000	±248700000	±361625000	±475440000	±707660000	10	30	100	300	1000	36-5M pulley-insert	
20000000000000000000000 40000000000000000000000	±187200000	±338100000	±482625000	±638440000	±956160000	10	30	100	300	1000	36-5M pulley-insert	
40000000000000000000000 100000000000000000000000	±256800000	±464700000	±641625000	±850440000	±1275660000	10	30	100	300	1000	36-5M pulley-insert	
100000000000000000000000 200000000000000000000000	±352800000	±640500000	±856625000	±1128440000	±1701660000	10	30	100	300	1000	36-5M pulley-insert	
200000000000000000000000 400000000000000000000000	±477600000	±870900000	±1141625000	±1504440000	±2256660000	10	30	100	300	1000	36-5M pulley-insert	
400000000000000000000000 1000000000000000000000000	±649200000	±1180500000	±1516625000	±2004440000	±3006660000	10	30	100	300	1000	36-5M pulley-insert	
1000000000000000000000000 2000000000000000000000000	±888000000	±1611000000	±2026625000	±2674440000	±4011660000	10	30	100	300	1000		