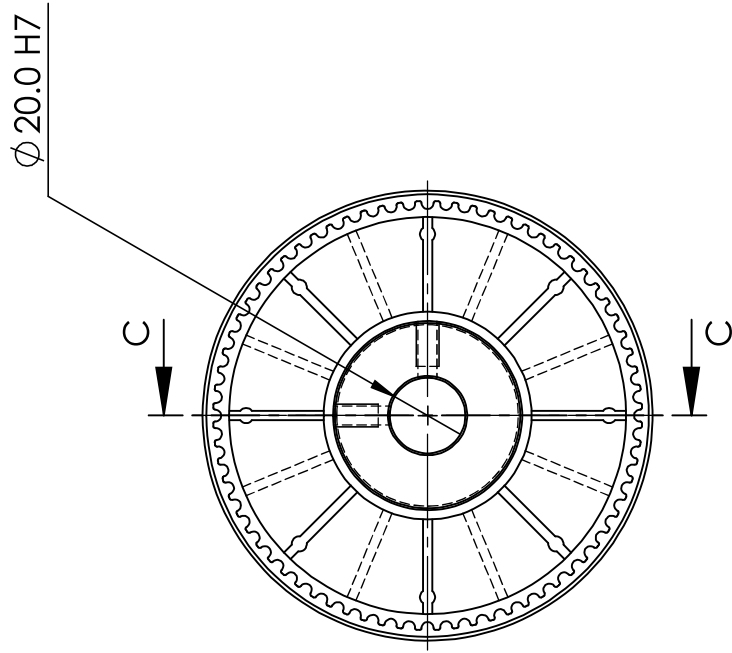


SECTION C-C



GENERAL TOLERANCES FOR DIMENSIONS AND FORM POSITION (Ref. ISO 2768 sk)		DEVIATIONS FOR LINEAR DIMENSIONS		DEVIATIONS FOR ANGULAR DIMENSIONS		DEVIATIONS FOR RADI AND CHAMFERS		DEVIATIONS FOR GEOMETRY		NAME		DATE		TUFF PLAST PUNE PVT. LTD.		
RANGE OF NOMINAL DIMENSIONS		RANGE OF NOMINAL DIMENSIONS		RANGE OF NOMINAL DIMENSIONS		RANGE OF NOMINAL DIMENSIONS		ABOVE	UPTO	MANOJ	CHKD	TUKARAM	24/10/21	DATE	REVISION	
ABOVE	0.5	3	6	30	120	0.5	3	6	30	10	30	100	300	1000	3000	MODEL NAME
UPTO	3	6	30	120	4000	3	6	30	120	10	30	100	300	1000	3000	72-5M-HTD-B-TYPE
TOL.	±0.1	±0.2	±0.5	±1.2	±2	TOL. ±0.2	±0.5	±1	±2	0.05	0.1	0.2	0.4	0.6	0.8	DWG NO./PART NO.
										MATERIAL:		72-5M pulley-insert		A4		
										WEIGHT: G/m		DO NOT SCALE		SHEET 1 OF 2		