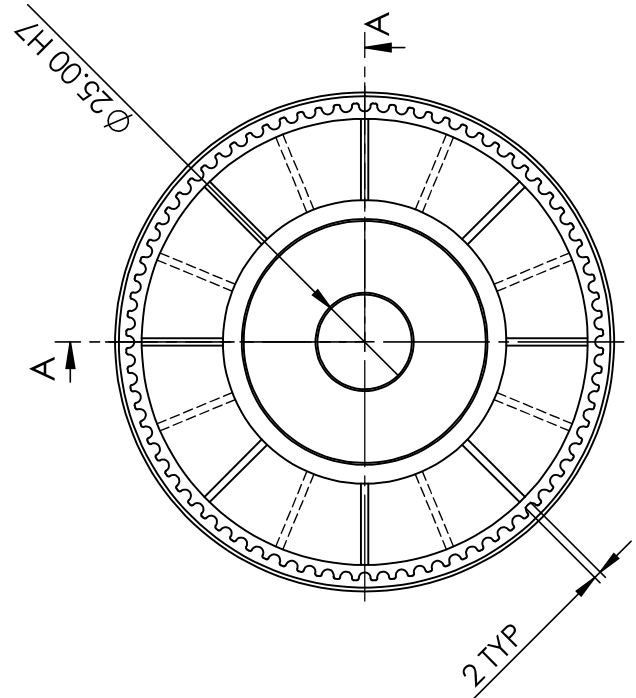


SECTION A-A



GENERAL TOLERANCES FOR DIMENSIONS AND FORM POSITION (Ref. ISO 2768 sk)		DEVIATIONS FOR RADI AND CHAMFERS RANGE OF NOMINAL DIMENSIONS		DEVIATIONS FOR GEOMETRY		NAME	DATE	TUFF PLAST PUNE PVT. LTD.	
DEVIATIONS FOR LINEAR DIMENSIONS		DEVIATIONS FOR ANGULAR DIMENSIONS		ABOVE	UPTO	MANOJ	23/12/17	DATE	REVISION
RANGE OF NOMINAL DIMENSIONS	ABOVE	RANGE OF NOMINAL DIMENSIONS	ABOVE	UPTO	UPTO	CHKD	24/12/17	MODEL NAME	
0.5 3 6 30 120 315 1000 2000	±0.1	0.5 3 6 30 120	±0.2	0.1 0.2 0.4 0.6 0.8 1	0.2 0.2 0.2 0.2 0.2	APVD	24/12/17 <td>80-5M</td> <td></td>	80-5M	
3 6 30 120 315 1000 2000 4000	±0.3	TOL. ±0.2, ±0.5, ±1, ±2	IF IN DOUBT. ASK	0.05 0.1 0.2 0.4 0.6 0.8	0.2 0.2 0.2 0.2 0.2			DWG NO./PART NO.	
±0.1 ±0.1 ±0.2 ±0.3 ±0.5 ±0.8 ±1.2 ±2	±1°	±1°	±20'	0.2 0.4 0.4 0.4 0.6 0.8 1	0.2 0.2 0.2 0.2 0.2			80-5M	
								WEIGHT: Grom	
								80-5M 231217	
									A4
									SHEET 1 OF 2