

4

3

2

1

F

F

E

E

D

D

C

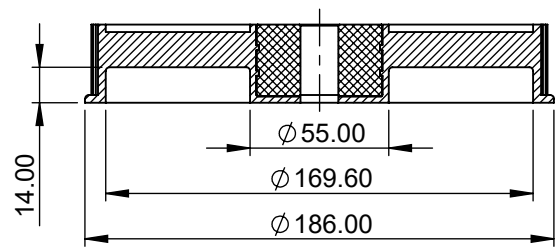
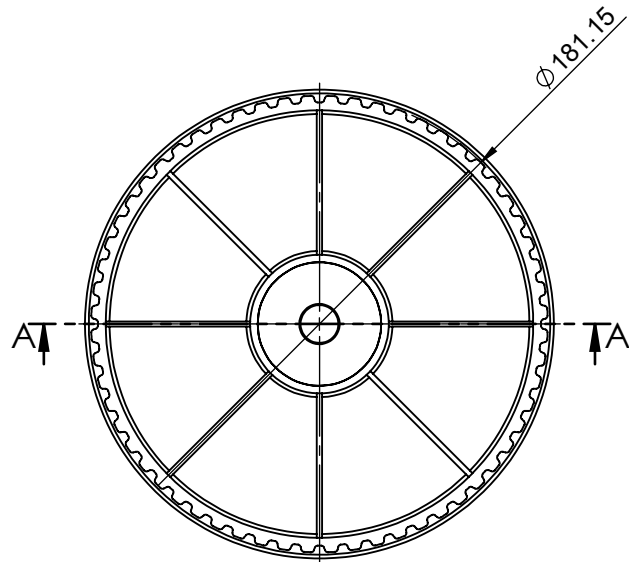
C

B

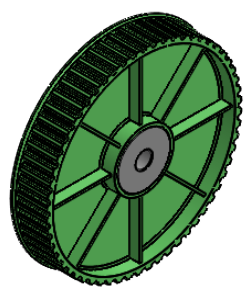
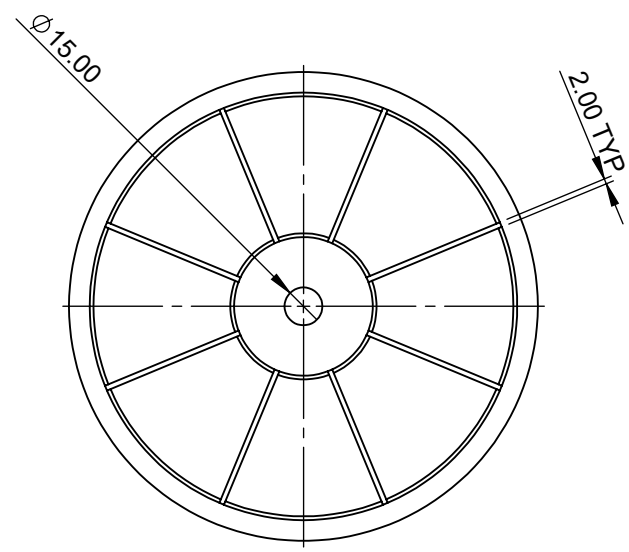
B

A

A



**SECTION A-A**  
SCALE 1 : 3



GENERAL TOLERANCES FOR DIMENSIONS AND FORM POSITION (Ref. ISO 2768 sk)		DEVIATIONS FOR RADI AND CHAMFERS		DEVIATIONS FOR GEOMETRY	
RANGE OF NOMINAL DIMENSIONS		RANGE OF NOMINAL DIMENSIONS		RANGE OF NOMINAL DIMENSIONS	
ABOVE	0.5   3   6   30   120   315   1000   2000	ABOVE	10   30   100   300   1000	UPTO	10   30   100   300   1000   3000
UPTO	3   6   30   120   315   1000   2000   4000	UPTO	3   6   30   120	0	0.05   0.1   0.2   0.4   0.6   0.8
TOL	$\pm 0.1$   $\pm 0.2$   $\pm 0.3$   $\pm 0.5$   $\pm 0.8$   $\pm 1.2$   $\pm 2$	IF IN DOUBT, ASK		1	0.4   0.4   0.4   0.4   0.8   1
				2	0.6   0.6   0.6   0.6   0.8   1
				3	0.2   0.2   0.2   0.2   0.2   0.2

	DATE	REVISION	DRAWN	NAME	DATE
	<small>PROPRIETARY &amp; CONFIDENTIAL THE INFORMATION CONTAINED IN THIS DRAWING IS THE SOLE PROPERTY OF TUFFPLAST ANY REPRODUCTION IN PART IS PROHIBITED.</small>			MANOJ	21/5/22
			CHK'D	TUKARAM	21/5/22
			APPV'D	MILLIND	21/5/22
			MATERIAL:		
			Material <not specified>		
			WEIGHT:		
			253.89Gram		
			A4		

4

3

2

1