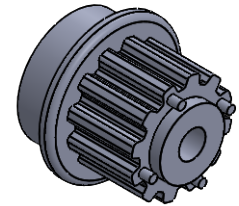
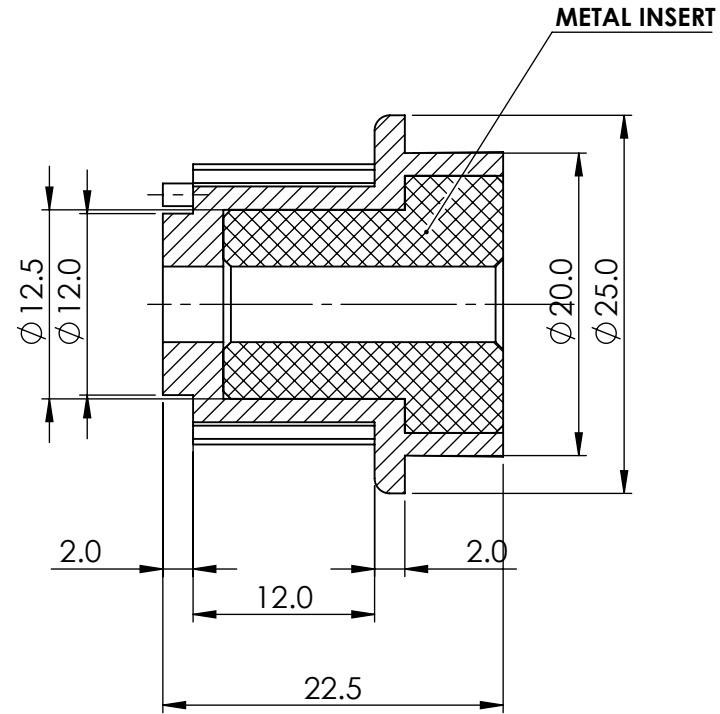
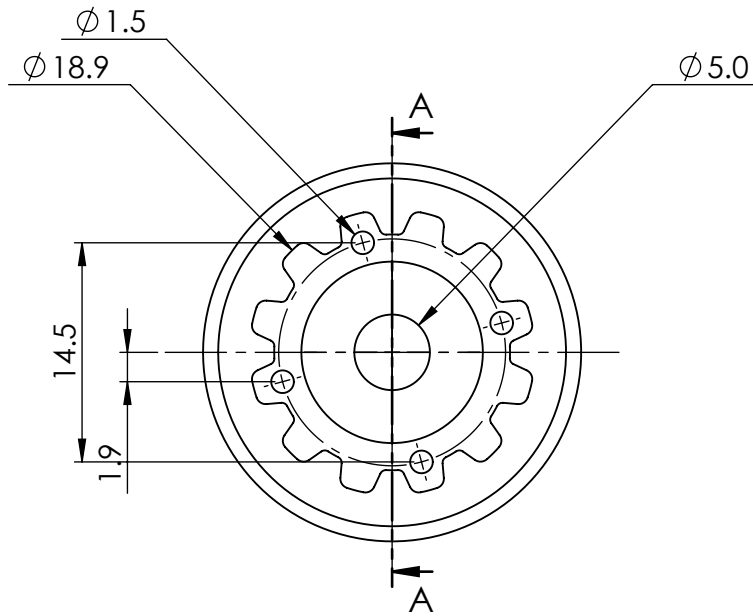


CREATED DATE

18/6/21



SECTION A-A

GENERAL TOLERANCE'S FOR DIMENSIONS AND FORM POSITION (Ref. ISO 2768 sk)

DEVIATIONS FOR RADI AND CHAMFERS
RANGE OF NOMINAL DIMENSIONS

DEVIATIONS FOR GEOMETRY

NAME	DATE
MANOJ	20/6/21
TUKARAM	20/6/21
MILLIND	20/6/21

TUFF PLAST PUNE PVT. LTD.

DATE REVISION

MODEL NAME
12XL pulley

DWG NO./PART NO.
XL-012-C-PRT-H-06.21

SHEET 1 OF 1

	DEVIATIONS FOR LINEAR DIMENSIONS				DEVIATIONS FOR ANGULAR DIMENSIONS			
	RANGE OF NOMINAL DIEMENSIONS				RANGE OF NOMINAL DIEMENSIONS			
ABOVE	0.5	3	6	30	120	315	1000	2000
UPTO	3	6	30	120	315	1000	2000	4000
TOL.	±0.1	±0.1	±0.2	±0.3	±0.5	±0.8	±1.2	±2

	DEVIATIONS FOR ANGULAR DIMENSIONS			
	RANGE OF NOMINAL DIEMENSIONS			
ABOVE	-	10	50	120
UPTO	10	50	120	-
TOL.	±1°	±30'	±20'	±10'

	RANGE OF NOMINAL DIMENSIONS					
	0.5	3	6	30	120	315
TOL.	±0.2	±0.5	±1	±2	IF IN DOUBT, ASK	

	RANGE OF NOMINAL DIMENSIONS					
	10	30	100	300	1000	3000
UPTO	10	30	100	300	1000	3000
TOL.	0.4	0.4	0.4	0.6	0.8	1

PROPRIETARY & CONFIDENTIAL
THE INFORMATION CONTAINED IN THIS
DRAWING IS THE SOLE PROPERTY OF
TUFFPLAST ANY REPRODUCTION IN PART IS
PROHIBITED.

MATERIAL:
WEIGHT: Gram
DO NOT SCALE

A4