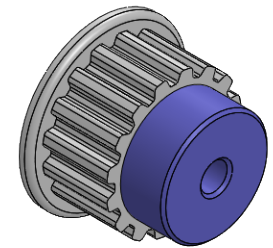
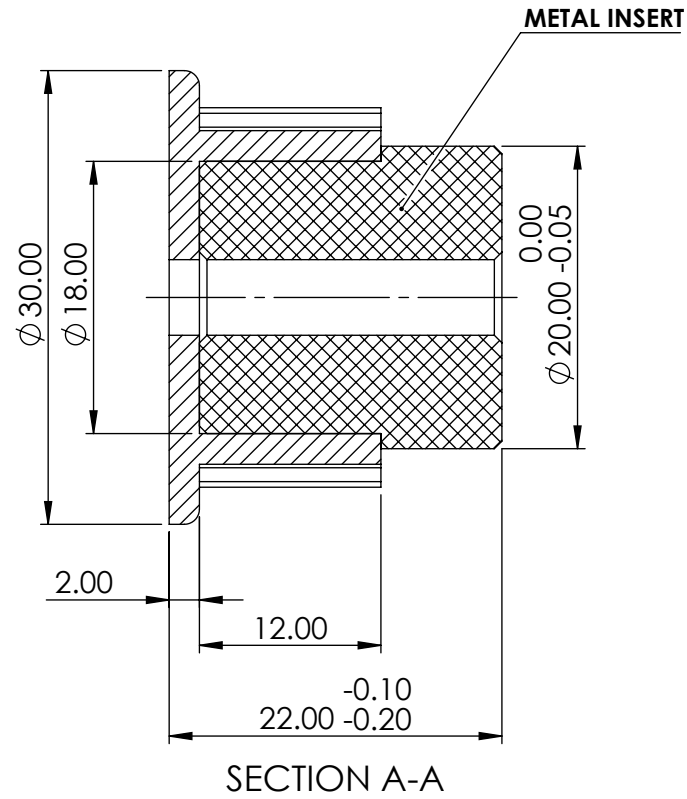
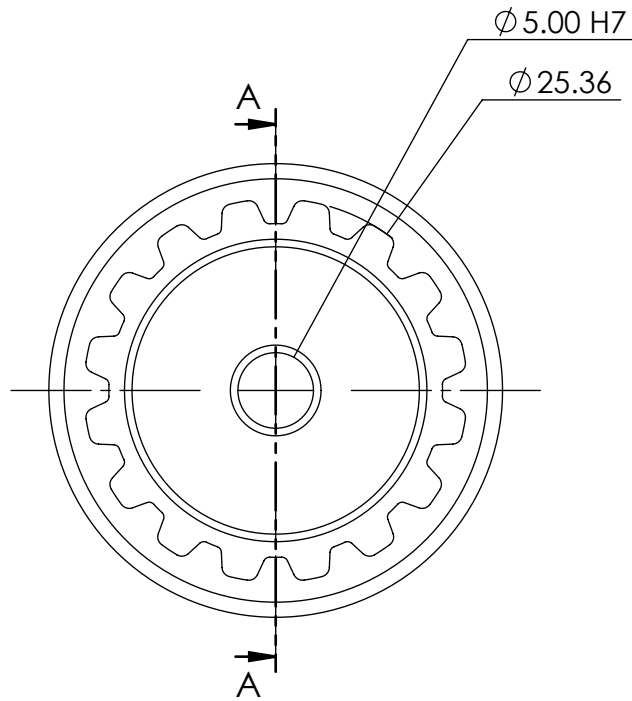


CREATED DATE

8/2/21



GENERAL TOLERANCE'S FOR DIMENSIONS AND FORM POSITION (Ref. ISO 2768 sk)

DEVIATIONS FOR RADI AND CHAMFERS  
RANGE OF NOMINAL DIMENSIONS

DEVIATIONS FOR GEOMETRY

NAME	DATE
DRAWN MANOJ	8/2/21
CHK'D TUKARAM	8/2/21
APP'VD KARVE	13/2/21

TUFF PLAST PUNE PVT. LTD.

DATE REVISION

MODEL NAME

16XL pulley

DWG NO./PART NO.

XL-016-B-PRT-H-02.21

	DEVIATIONS FOR LINEAR DIMENSIONS					DEVIATIONS FOR ANGULAR DIMENSIONS							
	RANGE OF NOMINAL DIEMENSIONS					RANGE OF NOMINAL DIEMENSIONS							
ABOVE	0.5	3	6	30	120	315	1000	2000	ABOVE	-	10	50	120
UPTO	3	6	30	120	315	1000	2000	4000	UPTO	10	50	120	-
TOL.	±0.1	±0.1	±0.2	±0.3	±0.5	±0.8	±1.2	±2	TOL.	±1°	±30'	±20'	±10'

RANGE OF NOMINAL DIMENSIONS		RANGE OF NOMINAL DIMENSIONS		RANGE OF NOMINAL DIMENSIONS	
0.5	3	6	30	120	315
±0.2	±0.5	±1	±2	IF IN DOUBT, ASK	

ABOVE	UPTO	0.05	0.1	0.2	0.4	0.6	0.8
10	30	100	300	1000	3000	10000	30000
0.4	0.4	0.4	0.6	0.8	1	1	1
0.6	0.6	0.6	0.6	0.8	1	1	1
0.2	0.2	0.2	0.2	0.2	0.2	0.2	0.2

PROPRIETARY & CONFIDENTIAL  
THE INFORMATION CONTAINED IN THIS  
DRAWING IS THE SOLE PROPERTY OF  
TUFFPLAST ANY REPRODUCTION IN PART IS  
PROHIBITED.

MATERIAL:  
ARNITE  
WEIGHT: 12.57Gram

DO NOT SCALE

SHEET 1 OF 1

A4