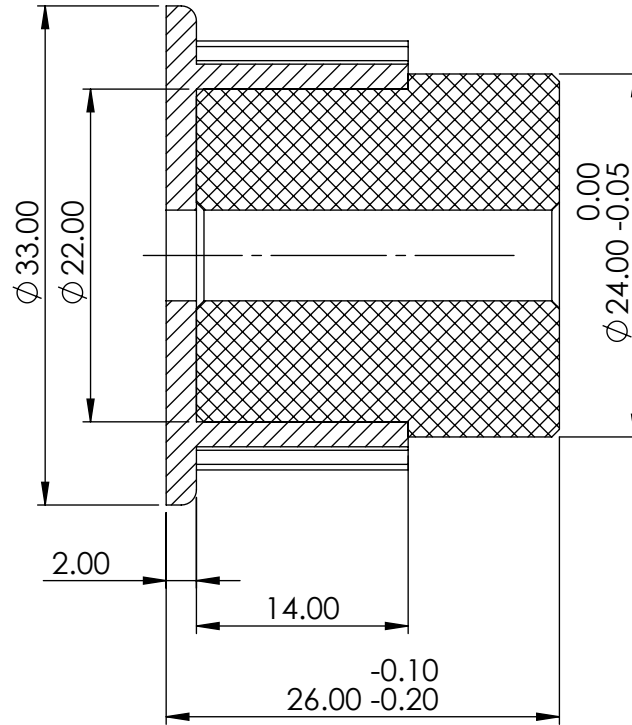
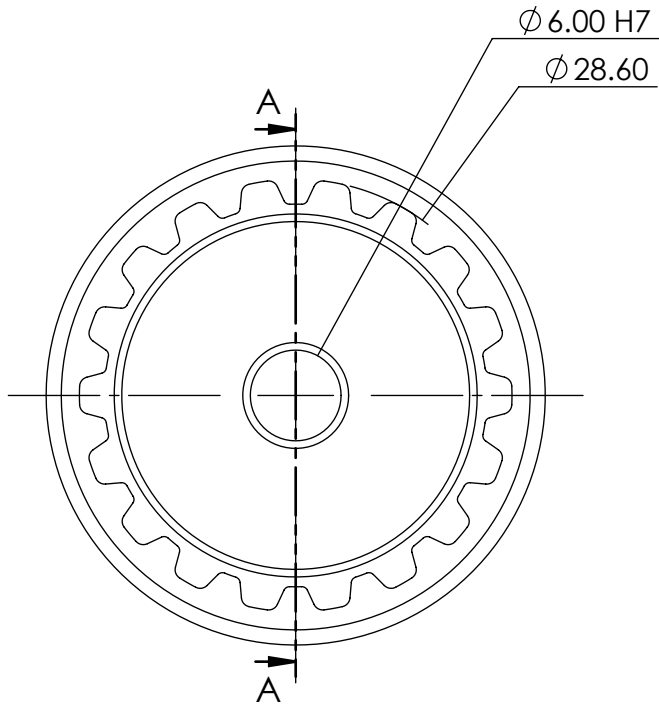
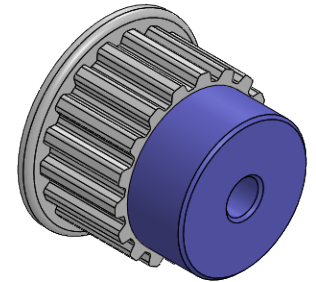


CREATED DATE

8/2/21



SECTION A-A



GENERAL TOLERANCE'S FOR DIMENSIONS AND FORM POSITION (Ref. ISO 2768 sk)

	DEVIATIONS FOR LINEAR DIMENSIONS								DEVIATIONS FOR ANGULAR DIMENSIONS				
	RANGE OF NOMINAL DIEMENSIONS								RANGE OF NOMINAL DIEMENSIONS				
ABOVE	0.5	3	6	30	120	315	1000	2000	ABOVE	-	10	50	120
UPTO	3	6	30	120	315	1000	2000	4000	UPTO	10	50	120	-
TOL.	±0.1	±0.1	±0.2	±0.3	±0.5	±0.8	±1.2	±2	TOL.	±1°	±30'	±20'	±10'

DEVIATIONS FOR RADI AND CHAMFERS

RANGE OF NOMINAL DIMENSIONS				
	0.5	3	6	30
TOL.	±0.2	±0.5	±1	±2

DEVIATIONS FOR GEOMETRY

	ABOVE	10	30	100	300	1000
—	0.1	0.2	0.4	0.6	0.8	1
∩	0.4	0.4	0.4	0.6	0.8	1
≡	0.6	0.6	0.6	0.6	0.8	1
/	0.2	0.2	0.2	0.2	0.2	0.2

NAME	DATE
MANOJ	8/2/21
TUKARAM	8/2/21
KARVE	13/2/21

MATERIAL: ARNITE
 WEIGHT: 19.28Gram
DO NOT SCALE

TUFF PLAST PUNE PVT. LTD.		
DATE	REVISION	
MODEL NAME		
18XL pulley		
DWG NO./PART NO.		
XL-018-B-PRT-H-02.21		
SHEET 1 OF 1		

A

A

6

5

4

3

2

1