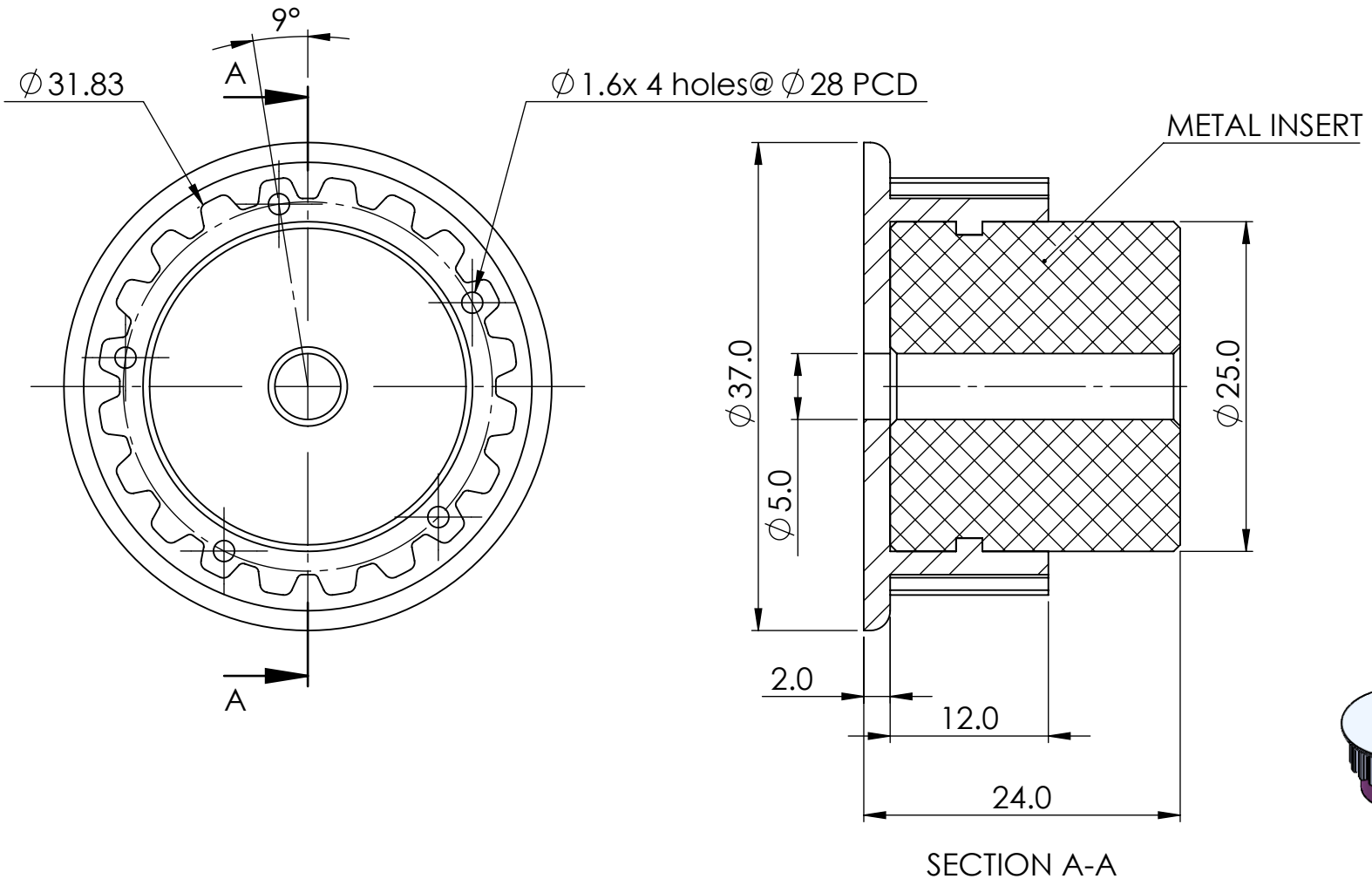


CREATED DATE

25/6/21



SECTION A-A

GENERAL TOLERANCE'S FOR DIMENSIONS AND FORM POSITION (Ref. ISO 2768 sk)

DEVIATIONS FOR RADI AND CHAMFERS  
RANGE OF NOMINAL DIMENSIONS

DEVIATIONS FOR GEOMETRY

NAME	DATE
MANOJ	25/6/21
CHK'D	TUKARAM
APPVD	KARVE
DATE	25/6/21

TUFF PLAST PUNE PVT. LTD.

DATE REVISION

MODEL NAME

20XL pulley

DWG NO./PART NO.

XL-020-B-PRT-H-06.21

	DEVIATIONS FOR LINEAR DIMENSIONS					DEVIATIONS FOR ANGULAR DIMENSIONS							
	RANGE OF NOMINAL DIMENSIONS					RANGE OF NOMINAL DIMENSIONS							
ABOVE	0.5	3	6	30	120	31.5	1000	2000	ABOVE	-	10	50	120
UPTO	3	6	30	120	315	1000	2000	4000	UPTO	10	50	120	-
TOL.	±0.1	±0.1	±0.2	±0.3	±0.5	±0.8	±1.2	±2	TOL.	±1°	±30'	±20'	±10'

DEVIATIONS FOR RADI AND CHAMFERS RANGE OF NOMINAL DIMENSIONS				
0.5	3	6	30	120
TOL.	±0.2	±0.5	±1	±2

DEVIATIONS FOR GEOMETRY												
ABOVE	10	30	100	300	1000	0.4	0.4	0.4	0.6	0.8	1	
UPTO	10	30	100	300	1000	3000	0.4	0.4	0.4	0.6	0.8	1
TOL.	0.4	0.4	0.4	0.6	0.8	1	0.6	0.6	0.6	0.8	1	1
TOL.	0.2	0.2	0.2	0.2	0.2	0.2	0.2	0.2	0.2	0.2	0.2	0.2

IF IN DOUBT, ASK

PROPRIETARY & CONFIDENTIAL  
THE INFORMATION CONTAINED IN THIS  
DRAWING IS THE SOLE PROPERTY OF  
TUFFPLAST ANY REPRODUCTION IN PART IS  
PROHIBITED.

MATERIAL:  
EN1A  
WEIGHT: 85.59Gram

DO NOT SCALE

SHEET 1 OF 1

A4