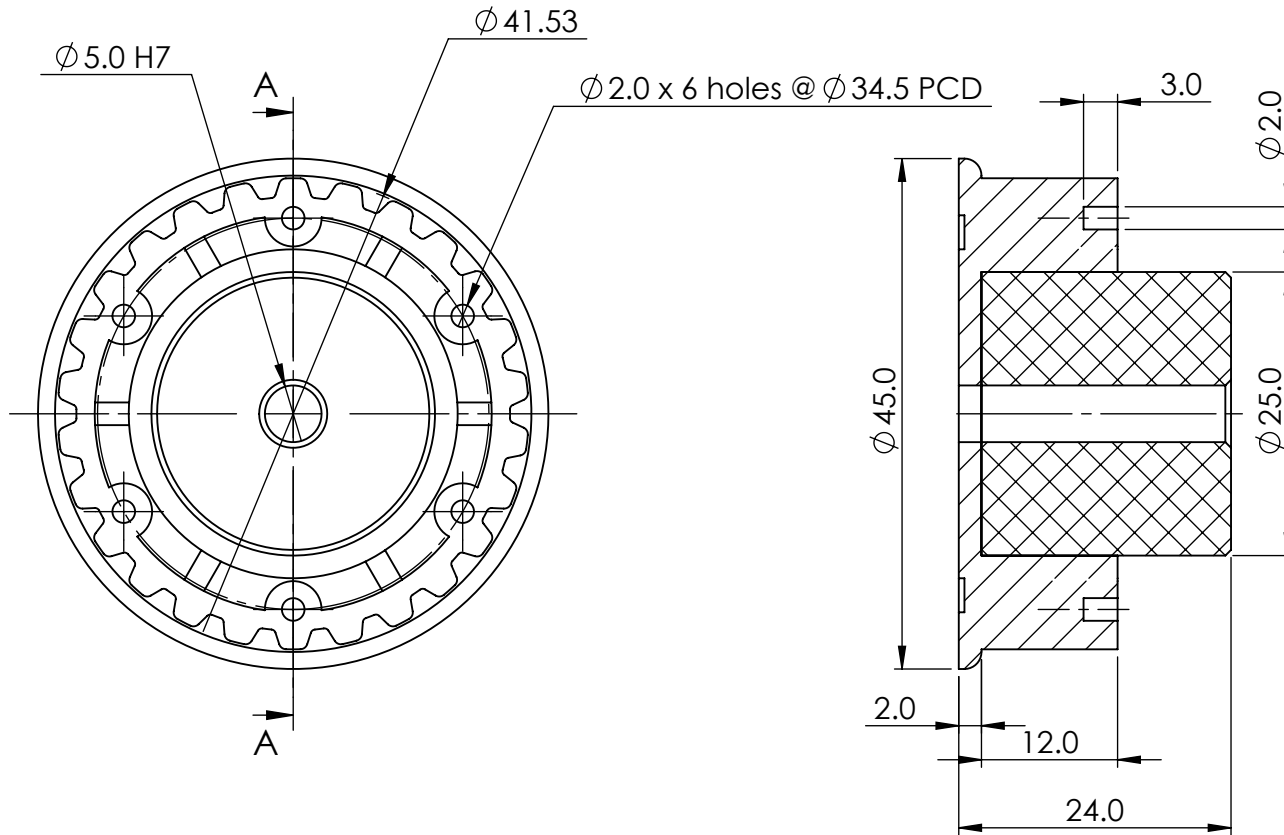
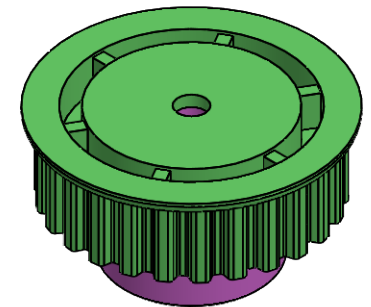


CREATED DATE 5/7/21



SECTION A-A



GENERAL TOLERANCE'S FOR DIMENSIONS AND FORM POSITION (Ref. ISO 2768 sk)										DEVIATIONS FOR RADI AND CHAMFERS RANGE OF NOMINAL DIMENSIONS				DEVIATIONS FOR GEOMETRY							NAME		DATE		TUFF PLAST PUNE PVT. LTD.											
DEVIATIONS FOR LINEAR DIMENSIONS RANGE OF NOMINAL DIEMENSIONS					DEVIATIONS FOR ANGULAR DIMENSIONS RANGE OF NOMINAL DIEMENSIONS					0.5	3	6	30	ABOVE	10	30	100	300	1000	3	6	30	120	UPTO	10	30	100	300	1000	3000	CHK'D	TUKARAM	5/7/21	DATE	REVISION	MODEL NAME
ABOVE	0.5	3	6	30	120	315	1000	2000	ABOVE	-	10	50	120	TOL.	±0.2	±0.5	±1	±2	1	0.4	0.4	0.4	0.6	0.8	1	0.4	0.4	0.4	0.6	0.8	1	APPV'D	KARVE	5/7/21	MATERIAL:	26XL pulley B type
UPTO	3	6	30	120	315	1000	2000	4000	UPTO	10	50	120	-	IF IN DOUBT. ASK				0.6	0.6	0.6	0.6	0.8	1	0.6	0.6	0.6	0.8	1	0.6	0.6	0.8	1	PROPRIETARY & CONFIDENTIAL THE INFORMATION CONTAINED IN THIS DRAWING IS THE SOLE PROPERTY OF TUFFPLAST ANY REPRODUCTION IN PART IS PROHIBITED.	WEIGHT: Gram	DWG NO./PART NO.	XL-026-B-PRT-H-07.21
TOL.	±0.1	±0.1	±0.2	±0.3	±0.5	±0.8	±1.2	±2	TOL.	±1°	±30'	±20'	±10'	0.2	0.2	0.2	0.2	0.2	0.2	0.2	0.2	0.2	0.2	0.2	0.2	0.2	0.2	0.2	0.2	0.2	0.2	0.2	DO NOT SCALE	SHEET 1 OF 1	A4	