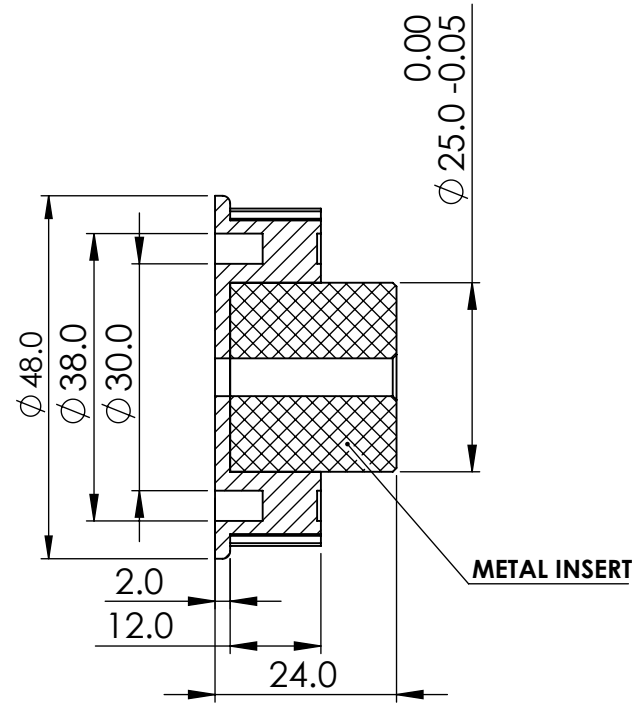
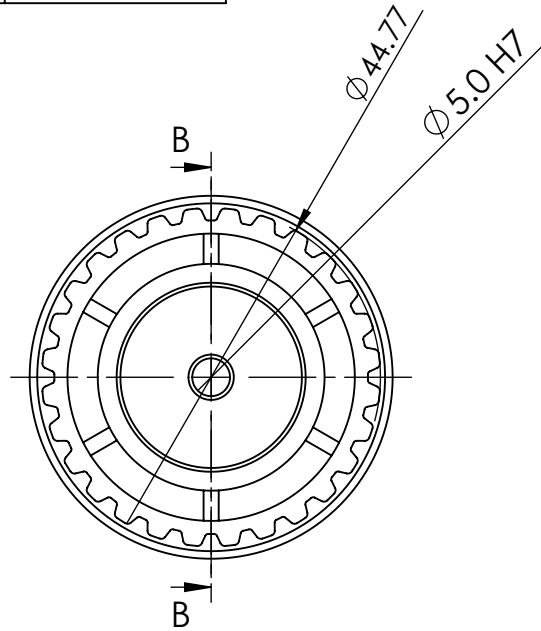
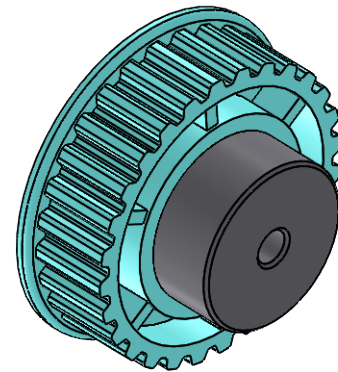


CREATED DATE 9/7/21



SECTION B-B



GENERAL TOLERANCE'S FOR DIMENSIONS AND FORM POSITION (Ref. ISO 2768 sk)

DEVIATIONS FOR RADI AND CHAMFERS  
RANGE OF NOMINAL DIMENSIONS

DEVIATIONS FOR GEOMETRY

NAME	DATE
DRAWN MANOJ	10/7/21
CHK'D TUKARAM	10/7/21
APP'VD KARVE	10/7/21

TUFF PLAST PUNE PVT. LTD.

DATE REVISION

MODEL NAME  
28XL pulley-insert

DWG NO./PART NO.  
XL-028-B-PRT-H-07.21

SHEET 1 OF 1

	DEVIATIONS FOR LINEAR DIMENSIONS								DEVIATIONS FOR ANGULAR DIMENSIONS				TOL.				
	RANGE OF NOMINAL DIEMENSIONS				RANGE OF NOMINAL DIEMENSIONS				RANGE OF NOMINAL DIEMENSIONS								
ABOVE	0.5	3	6	30	120	315	1000	2000	ABOVE	-	10	50	120	±0.2	±0.5	±1	±2
UPTO	3	6	30	120	315	1000	2000	4000	UPTO	10	50	120	-	IF IN DOUBT. ASK			
TOL.	±0.1	±0.1	±0.2	±0.3	±0.5	±0.8	±1.2	±2	TOL.	±1°	±30'	±20'	±10'				

	RANGE OF NOMINAL DIMENSIONS											
	ABOVE	10	30	100	300	1000	0.4	0.4	0.4	0.6	0.8	1
UPTO	10	30	100	300	1000	3000	0.4	0.4	0.4	0.6	0.8	1
—∇	0.05	0.1	0.2	0.4	0.6	0.8	0.6	0.6	0.6	0.6	0.8	1
≡	0.6	0.6	0.6	0.6	0.8	1	0.2	0.2	0.2	0.2	0.2	0.2
/	0.2	0.2	0.2	0.2	0.2	0.2	PROPRIETARY & CONFIDENTIAL THE INFORMATION CONTAINED IN THIS DRAWING IS THE SOLE PROPERTY OF TUFFPLAST ANY REPRODUCTION IN PART IS PROHIBITED.					

MATERIAL: ARNITE  
WEIGHT: 94.73Gram  
DO NOT SCALE

A4