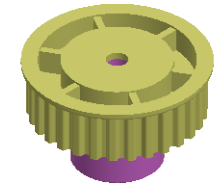
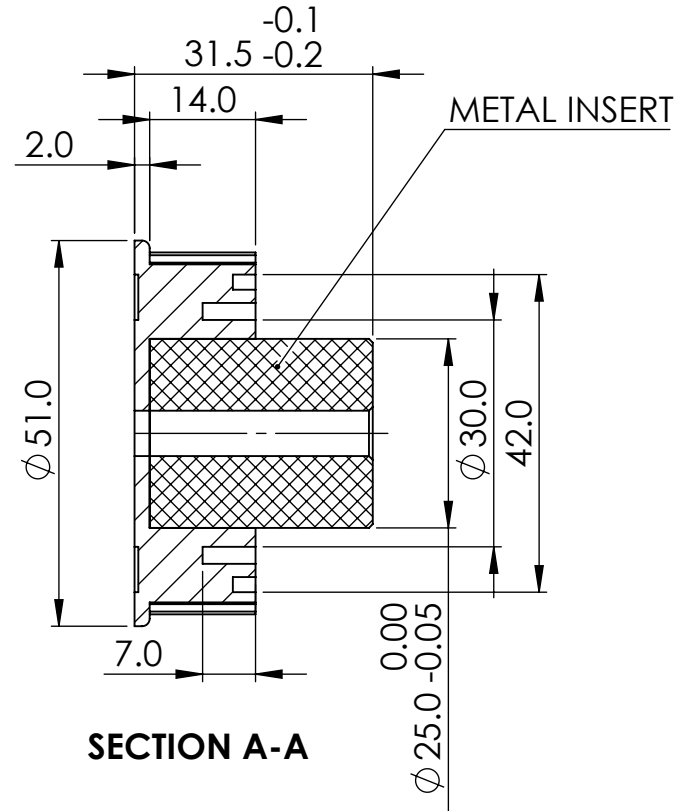
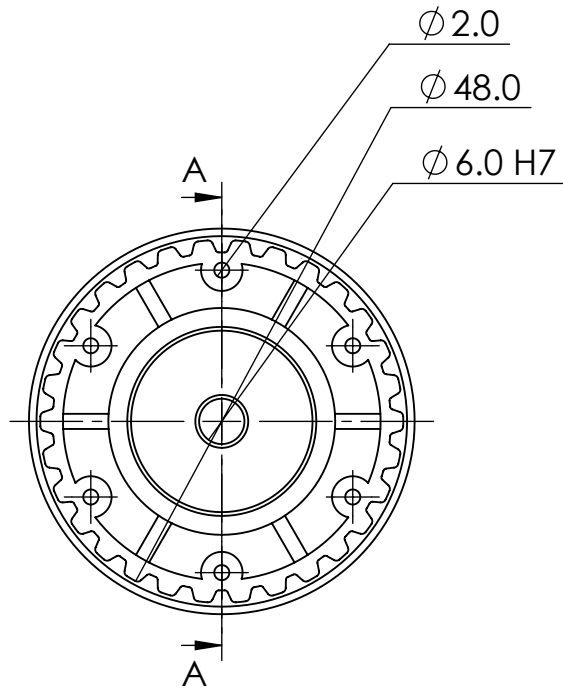


CREATED DATE 14/7/21



GENERAL TOLERANCE'S FOR DIMENSIONS AND FORM POSITION (Ref. ISO 2768 sk)										DEVIATIONS FOR RADI AND CHAMFERS RANGE OF NOMINAL DIMENSIONS					DEVIATIONS FOR GEOMETRY							NAME		DATE		TUFF PLAST PUNE PVT. LTD.			
DEVIATIONS FOR LINEAR DIMENSIONS RANGE OF NOMINAL DIEMENSIONS					DEVIATIONS FOR ANGULAR DIMENSIONS RANGE OF NOMINAL DIEMENSIONS					0.5	3	6	30	ABOVE	10	30	100	300	1000	DRAWN	MANOJ	14/7/21	DATE	REVISION	MODEL NAME				
ABOVE	UPTO	TOL.	±0.1	±0.1	±0.2	±0.3	±0.5	±0.8	±1.2	±2	ABOVE	-	10	50	120	TOL.	±0.2	±0.5	±1	±2	CHK'D	MILLIND	14/7/21	APP'VD	KARVE	14/7/21	30XL pulley-insert		
UPTO	TOL.	±0.1	±0.1	±0.2	±0.3	±0.5	±0.8	±1.2	±2	TOL.	±1°	±30'	±20'	±10'	IF IN DOUBT. ASK	0.4	0.4	0.4	0.6	0.8	1	MATERIAL:			DWG NO./PART NO.				
TOL.	±0.1	±0.1	±0.2	±0.3	±0.5	±0.8	±1.2	±2	TOL.	±1°	±30'	±20'	±10'	IF IN DOUBT. ASK	0.6	0.6	0.6	0.6	0.8	1	ARNITE			XL-030-B-PRT-H-07.21					
TOL.	±0.1	±0.1	±0.2	±0.3	±0.5	±0.8	±1.2	±2	TOL.	±1°	±30'	±20'	±10'	IF IN DOUBT. ASK	0.2	0.2	0.2	0.2	0.2	0.2	WEIGHT: 37.95Gram			A4					
TOL.	±0.1	±0.1	±0.2	±0.3	±0.5	±0.8	±1.2	±2	TOL.	±1°	±30'	±20'	±10'	IF IN DOUBT. ASK	0.2	0.2	0.2	0.2	0.2	0.2	DO NOT SCALE			SHEET 1 OF 1					

6 5 4 3 2 1