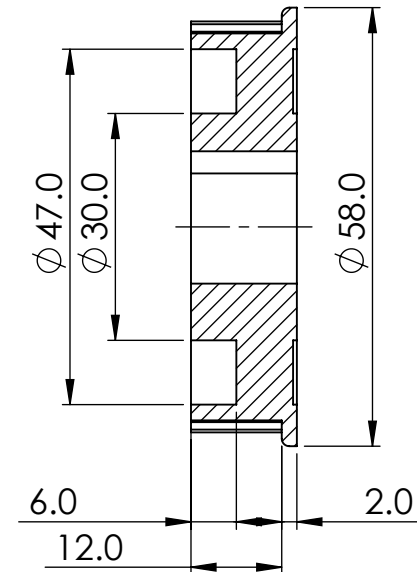
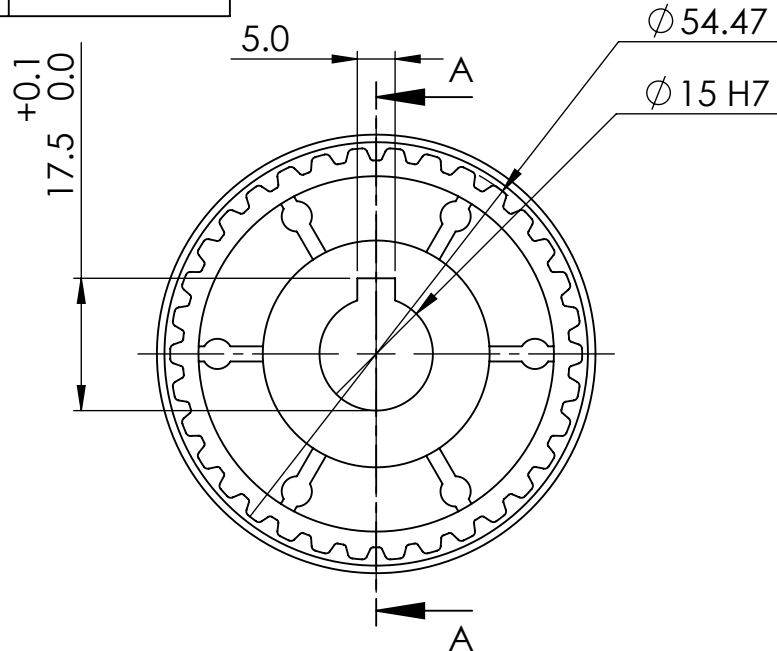
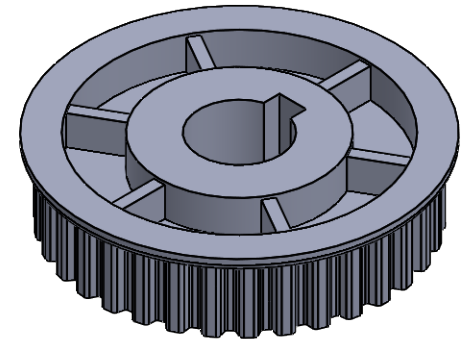


CREATED DATE

26/7/21



SECTION A-A



GENERAL TOLERANCE'S FOR DIMENSIONS AND FORM POSITION (Ref. ISO 2768 sk)

	DEVIATIONS FOR LINEAR DIMENSIONS				DEVIATIONS FOR ANGULAR DIMENSIONS								
	RANGE OF NOMINAL DIEMENSIONS				RANGE OF NOMINAL DIEMENSIONS								
ABOVE	0.5	3	6	30	120	315	1000	2000	ABOVE	-	10	50	120
UPTO	3	6	30	120	315	1000	2000	4000	UPTO	10	50	120	-
TOL.	±0.1	±0.1	±0.2	±0.3	±0.5	±0.8	±1.2	±2	TOL.	±1°	±30'	±20'	±10'

DEVIATIONS FOR RADI AND CHAMFERS

	RANGE OF NOMINAL DIMENSIONS					
	ABOVE	10	30	100	300	1000
UPTO	10	30	100	300	1000	3000
TOL.	±0.2	±0.5	±1	±2		

DEVIATIONS FOR GEOMETRY

	RANGE OF NOMINAL DIMENSIONS						
	ABOVE	10	30	100	300	1000	3000
UPTO	10	30	100	300	1000	3000	
TOL.	0.4	0.4	0.4	0.6	0.8	1	

NAME	DATE
DRAWN MANOJ	26/7/21
CHK'D TUKARAM	26/7/21
APP'VD MILLIND	26/7/21

TUFF PLAST PUNE PVT. LTD.	
DATE	REVISION
MODEL NAME	
34XL A type	
DWG NO./PART NO.	
XL-034-A-PRT-H-07.21	
SHEET 1 OF 1	

PROPRIETARY & CONFIDENTIAL
THE INFORMATION CONTAINED IN THIS DRAWING IS THE SOLE PROPERTY OF TUFFPLAST ANY REPRODUCTION IN PART IS PROHIBITED.

MATERIAL: ARNITE
WEIGHT: 25.67Gram
DO NOT SCALE

A4