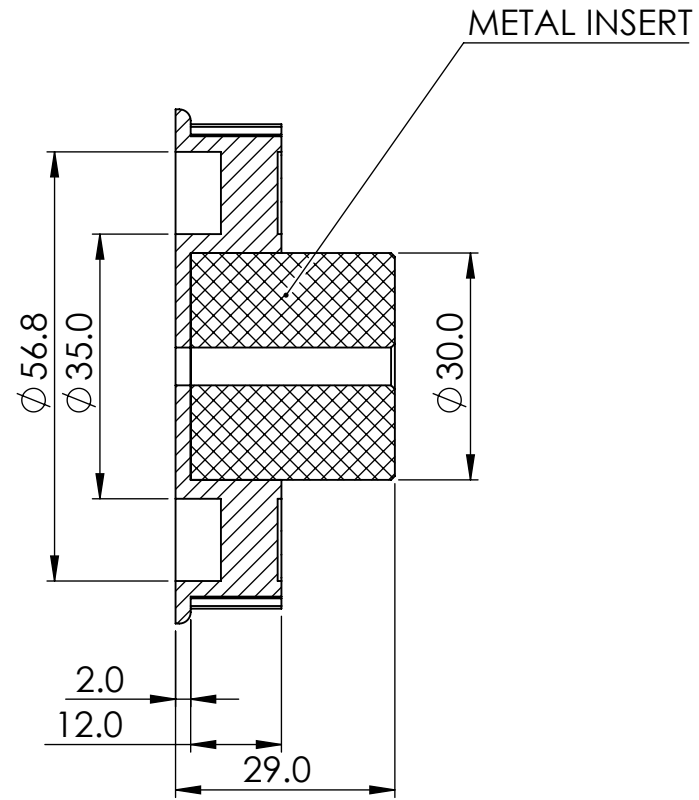
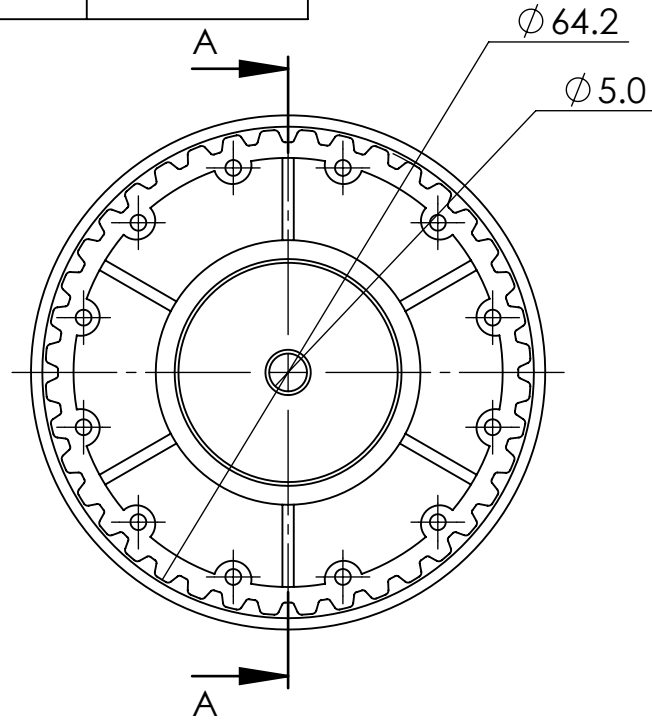
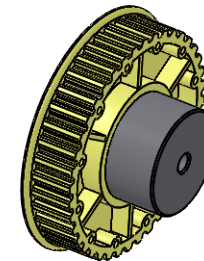


CREATED DATE

3/8/21



SECTION A-A



GENERAL TOLERANCE'S FOR DIMENSIONS AND FORM POSITION (Ref. ISO 2768 sk)

DEVIATIONS FOR RADI AND CHAMFERS
RANGE OF NOMINAL DIMENSIONS

DEVIATIONS FOR GEOMETRY

NAME	DATE
DRAWN MANOJ	11/8/21
CHK'D MILLIND	11/8/21
APP'VD KARVE	11/8/21

TUFF PLAST PUNE PVT. LTD.

DATE REVISION

MODEL NAME

40xl 'B' type

DWG NO./PART NO.

XL-040-B-PRT-H-08.21

	DEVIATIONS FOR LINEAR DIMENSIONS								DEVIATIONS FOR ANGULAR DIMENSIONS				
	RANGE OF NOMINAL DIEMENSIONS								RANGE OF NOMINAL DIEMENSIONS				
ABOVE	0.5	3	6	30	120	315	1000	2000	ABOVE	-	10	50	120
UPTO	3	6	30	120	315	1000	2000	4000	UPTO	10	50	120	-
TOL.	±0.1	±0.1	±0.2	±0.3	±0.5	±0.8	±1.2	±2	TOL.	±1°	±30'	±20'	±10'

DEVIATIONS FOR RADI AND CHAMFERS RANGE OF NOMINAL DIMENSIONS				
ABOVE	0.5	3	6	30
UPTO	3	6	30	120
TOL.	±0.2	±0.5	±1	±2

DEVIATIONS FOR GEOMETRY						
ABOVE	10	30	100	300	1000	3000
UPTO	10	30	100	300	1000	3000
TOL.	0.4	0.4	0.4	0.6	0.8	1
	0.6	0.6	0.6	0.6	0.8	1
	0.2	0.2	0.2	0.2	0.2	0.2

IF IN DOUBT, ASK

PROPRIETARY & CONFIDENTIAL
THE INFORMATION CONTAINED IN THIS
DRAWING IS THE SOLE PROPERTY OF
TUFFPLAST ANY REPRODUCTION IN PART IS
PROHIBITED.

MATERIAL:
ARNITE
WEIGHT: 169.21 Gram

DO NOT SCALE

A4

SHEET 1 OF 1