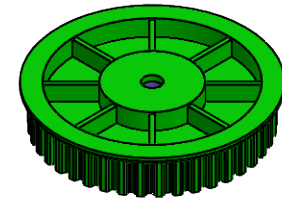
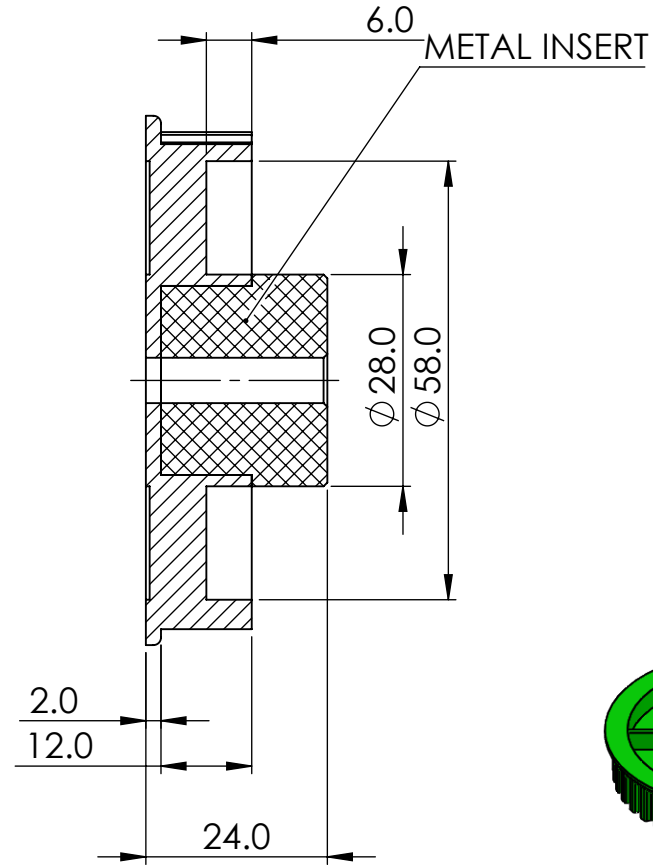
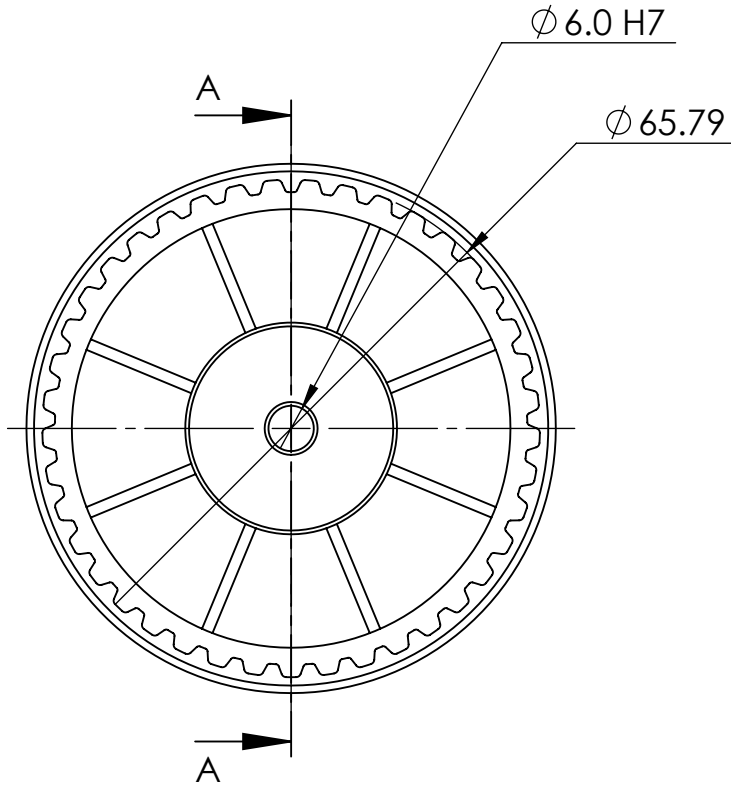


CREATED DATE 18/8/21



SECTION A-A

GENERAL TOLERANCE'S FOR DIMENSIONS AND FORM POSITION (Ref. ISO 2768 sk)

	DEVIATIONS FOR LINEAR DIMENSIONS								DEVIATIONS FOR ANGULAR DIMENSIONS				
	RANGE OF NOMINAL DIEMENSIONS				RANGE OF NOMINAL DIEMENSIONS				RANGE OF NOMINAL DIEMENSIONS				
ABOVE	0.5	3	6	30	120	315	1000	2000	ABOVE	-	10	50	120
UPTO	3	6	30	120	315	1000	2000	4000	UPTO	10	50	120	-
TOL.	$\pm 0.1$	$\pm 0.1$	$\pm 0.2$	$\pm 0.3$	$\pm 0.5$	$\pm 0.8$	$\pm 1.2$	$\pm 2$	TOL.	$\pm 1^\circ$	$\pm 30'$	$\pm 20'$	$\pm 10'$

DEVIATIONS FOR RADI AND CHAMFERS  
RANGE OF NOMINAL DIMENSIONS

	RANGE OF NOMINAL DIMENSIONS					
	ABOVE	10	30	100	300	1000
UPTO	10	30	100	300	1000	3000
TOL.	$\pm 0.2$	$\pm 0.5$	$\pm 1$	$\pm 2$	$\pm 3$	$\pm 5$

DEVIATIONS FOR GEOMETRY

	RANGE OF NOMINAL DIMENSIONS							
	ABOVE	10	30	100	300	1000		
UPTO	10	30	100	300	1000	3000		
TOL.	0.4	0.4	0.4	0.6	0.8	1		
	0.6	0.6	0.6	0.6	0.8	1		
	0.2	0.2	0.2	0.2	0.2	0.2		

NAME	DATE
MANOJ	18/8/21
TUKARAM	18/8/21
KARVE	18/8/21

<b>TUFF PLAST PUNE PVT. LTD.</b>		
DATE	REVISION	
MODEL NAME		
41XL pulley-insert		
DWG NO./PART NO.		
XL-041-B-PRT-H-08.21		
SHEET 1 OF 1		

MATERIAL: ARNITE  
WEIGHT: 42.41 Gram  
DO NOT SCALE

PROPRIETARY & CONFIDENTIAL  
THE INFORMATION CONTAINED IN THIS DRAWING IS THE SOLE PROPERTY OF TUFFPLAST ANY REPRODUCTION IN PART IS PROHIBITED.

A

A

6 5 4 3 2 1