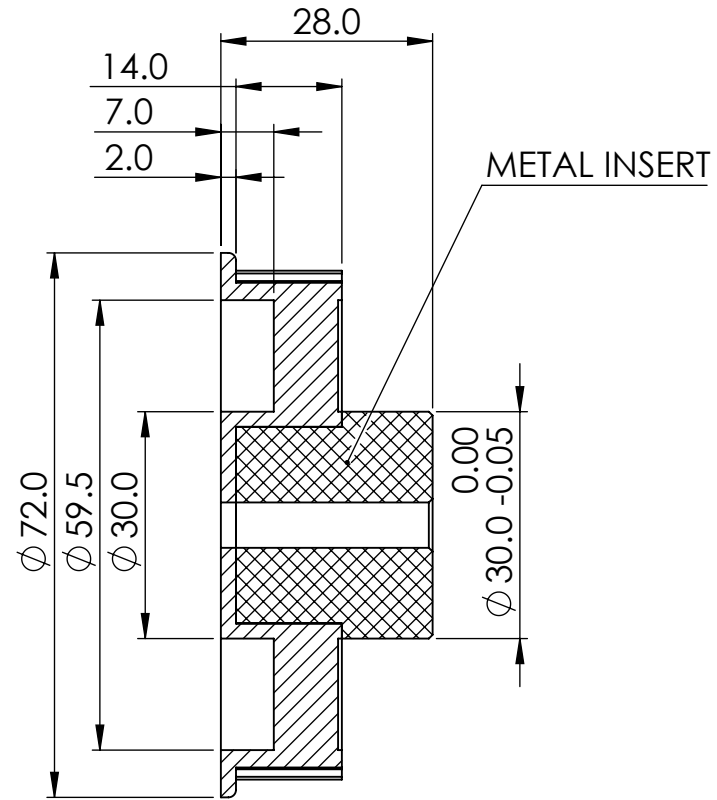
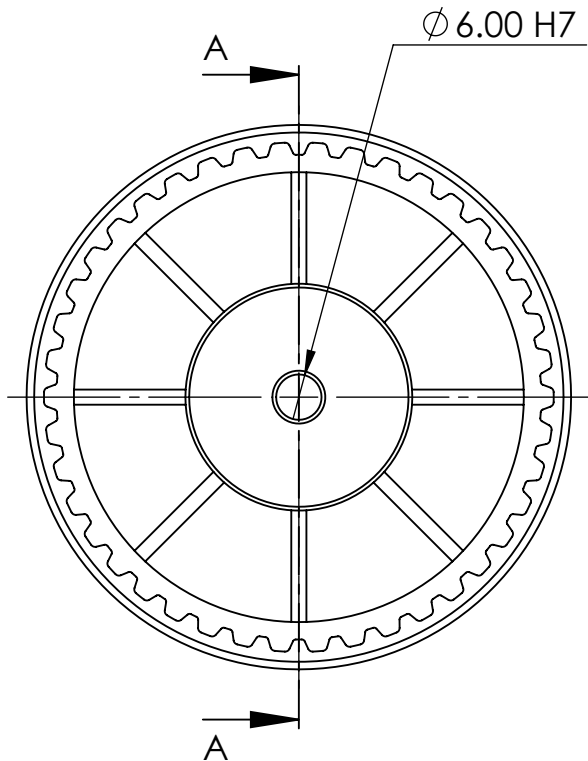
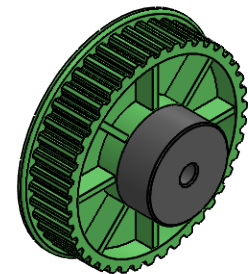


CREATED DATE

20/8/21



SECTION A-A



GENERAL TOLERANCE'S FOR DIMENSIONS AND FORM POSITION (Ref. ISO 2768 sk)

DEVIATIONS FOR RADI AND CHAMFERS
RANGE OF NOMINAL DIMENSIONS

DEVIATIONS FOR GEOMETRY

NAME	DATE
DRAWN MANOJ	20/8/21
CHK'D MILLIND	20/8/21
APP'VD KARVE	20/8/21

TUFF PLAST PUNE PVT. LTD.

DATE REVISION

MODEL NAME
42XL pulley-insert

DWG NO./PART NO.
XL-042-B-PRT-H-08.21

WEIGHT: 53.56Gram
A4

	DEVIATIONS FOR LINEAR DIMENSIONS								DEVIATIONS FOR ANGULAR DIMENSIONS				
	RANGE OF NOMINAL DIMENSIONS								RANGE OF NOMINAL DIEMENSIONS				
ABOVE	0.5	3	6	30	120	315	1000	2000	ABOVE	-	10	50	120
UPTO	3	6	30	120	315	1000	2000	4000	UPTO	10	50	120	-
TOL.	± 0.1	± 0.1	± 0.2	± 0.3	± 0.5	± 0.8	± 1.2	± 2	TOL.	$\pm 1^\circ$	$\pm 30'$	$\pm 20'$	$\pm 10'$

RANGE OF NOMINAL DIMENSIONS				
0.5	3	6	30	120
± 0.2	± 0.5	± 1	± 2	

RANGE OF NOMINAL DIMENSIONS					
ABOVE	10	30	100	300	1000
UPTO	10	30	100	300	1000
\perp	0.05	0.1	0.2	0.4	0.6
\parallel	0.4	0.4	0.4	0.6	0.8
∇	0.6	0.6	0.6	0.6	0.8
\sim	0.2	0.2	0.2	0.2	0.2

IF IN DOUBT, ASK

PROPRIETARY & CONFIDENTIAL
THE INFORMATION CONTAINED IN THIS
DRAWING IS THE SOLE PROPERTY OF
TUFFPLAST ANY REPRODUCTION IN PART IS
PROHIBITED.

MATERIAL:
ARNITE
WEIGHT: 53.56Gram
DO NOT SCALE

SHEET 1 OF 1