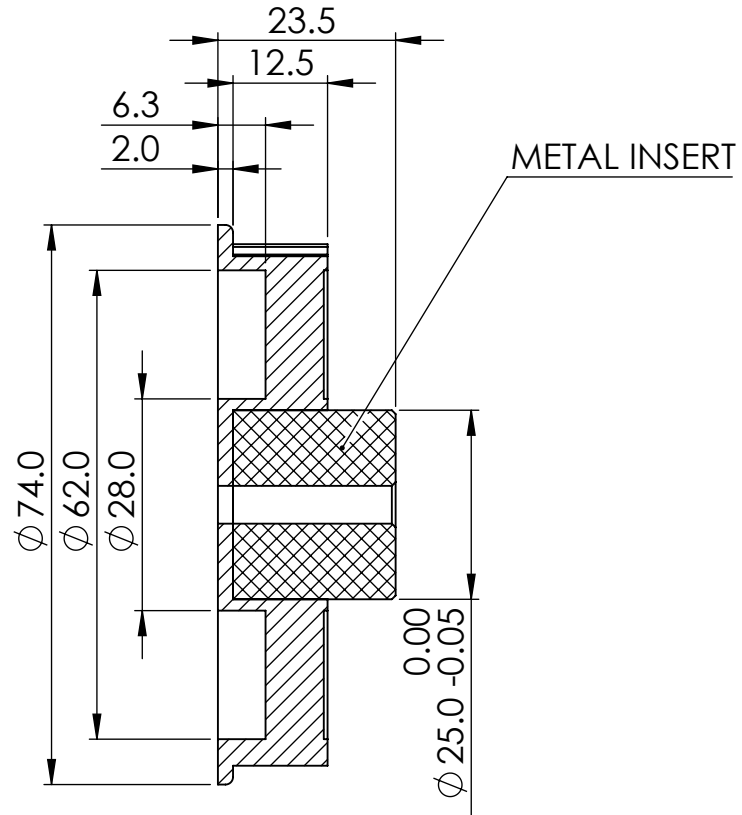
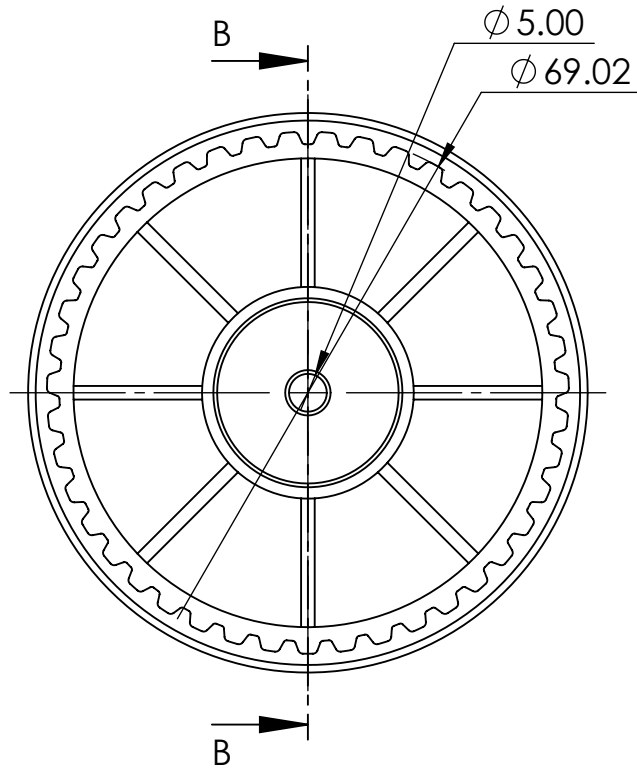
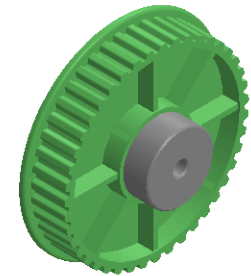


CREATED DATE

23/8/21



SECTION B-B



GENERAL TOLERANCE'S FOR DIMENSIONS AND FORM POSITION (Ref. ISO 2768 sk)

DEVIATIONS FOR RADI AND CHAMFERS  
RANGE OF NOMINAL DIMENSIONS

DEVIATIONS FOR GEOMETRY

NAME	DATE
DRAWN MANOJ	23/8/21
CHK'D MILLIND	23/8/21
APP'VD KARVE	23/8/21

TUFF PLAST PUNE PVT. LTD.

DATE REVISION

MODEL NAME

43XL pulley-insert

DWG NO./PART NO.

XL-043-B-PRT-H-08.21

SHEET 1 OF 1

	DEVIATIONS FOR LINEAR DIMENSIONS								DEVIATIONS FOR ANGULAR DIMENSIONS									
	RANGE OF NOMINAL DIEMENSIONS				RANGE OF NOMINAL DIEMENSIONS				RANGE OF NOMINAL DIEMENSIONS									
ABOVE	0.5	3	6	30	120	315	1000	2000	ABOVE	-	10	50	120	TOL.	±0.2	±0.5	±1	±2
UPTO	3	6	30	120	315	1000	2000	4000	UPTO	10	50	120	-	IF IN DOUBT. ASK				
TOL.	±0.1	±0.1	±0.2	±0.3	±0.5	±0.8	±1.2	±2	TOL.	±1°	±30'	±20'	±10'					

DEVIATIONS FOR RADI AND CHAMFERS	
ABOVE	10 30 100 300 1000
UPTO	10 30 100 300 1000 3000
—∇	0.05 0.1 0.2 0.4 0.6 0.8
≡	0.4 0.4 0.4 0.6 0.8 1
↗	0.2 0.2 0.2 0.2 0.2 0.2

NAME	DATE
DRAWN MANOJ	23/8/21
CHK'D MILLIND	23/8/21
APP'VD KARVE	23/8/21

PROPRIETARY & CONFIDENTIAL  
THE INFORMATION CONTAINED IN THIS  
DRAWING IS THE SOLE PROPERTY OF  
TUFFPLAST ANY REPRODUCTION IN PART IS  
PROHIBITED.

MATERIAL:  
ARNITE  
WEIGHT: 42.54Gram  
DO NOT SCALE

A4