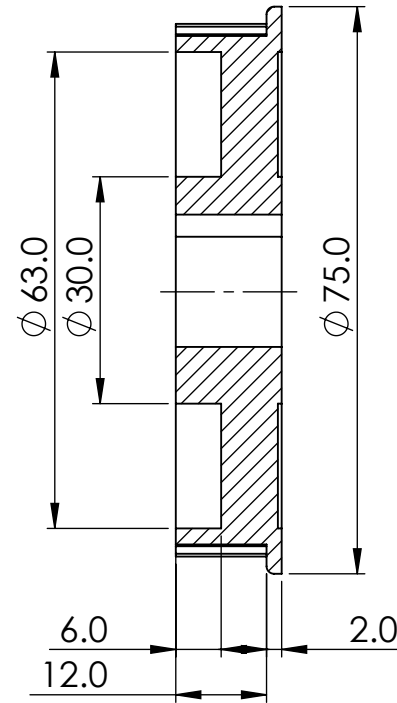
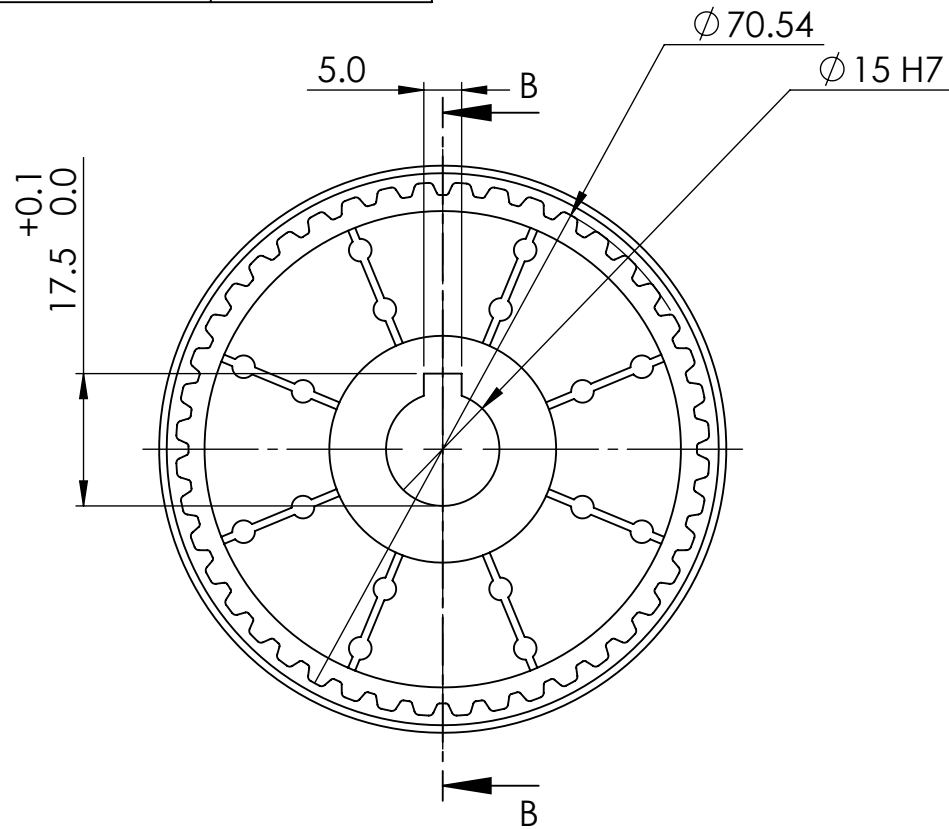
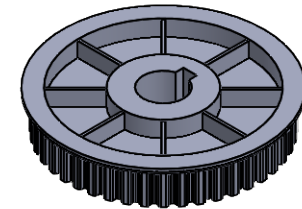


CREATED DATE

26/7/21



SECTION B-B



GENERAL TOLERANCE'S FOR DIMENSIONS AND FORM POSITION (Ref. ISO 2768 sk)

DEVIATIONS FOR RADI AND CHAMFERS  
RANGE OF NOMINAL DIMENSIONS

DEVIATIONS FOR GEOMETRY

NAME	DATE
DRAWN MANOJ	26/7/21
CHK'D TUKARAM	26/7/21
APP'VD MILLIND	26/7/21

TUFF PLAST PUNE PVT. LTD.

DATE REVISION

MODEL NAME

44XL A type

DWG NO./PART NO.

XL-044-A-PRT-H-07.21

SHEET 1 OF 1

	DEVIATIONS FOR LINEAR DIMENSIONS								DEVIATIONS FOR ANGULAR DIMENSIONS				
	RANGE OF NOMINAL DIEMENSIONS								RANGE OF NOMINAL DIEMENSIONS				
ABOVE	0.5	3	6	30	120	315	1000	2000	ABOVE	-	10	50	120
UPTO	3	6	30	120	315	1000	2000	4000	UPTO	10	50	120	-
TOL.	±0.1	±0.1	±0.2	±0.3	±0.5	±0.8	±1.2	±2	TOL.	±1°	±30'	±20'	±10'

DEVIATIONS FOR RADI AND CHAMFERS RANGE OF NOMINAL DIMENSIONS				
0.5	3	6	30	120
TOL. ±0.2	±0.5	±1	±2	
IF IN DOUBT. ASK				

	DEVIATIONS FOR GEOMETRY					
	ABOVE	10	30	100	300	1000
UPTO	10	30	100	300	1000	3000
—∇	0.05	0.1	0.2	0.4	0.6	0.8
≡	0.4	0.4	0.4	0.6	0.8	1
∕	0.2	0.2	0.2	0.2	0.2	0.2

PROPRIETARY & CONFIDENTIAL  
THE INFORMATION CONTAINED IN THIS  
DRAWING IS THE SOLE PROPERTY OF  
TUFFPLAST ANY REPRODUCTION IN PART IS  
PROHIBITED.

MATERIAL:  
ARNITE

WEIGHT: 34.19Gram

DO NOT SCALE

A4