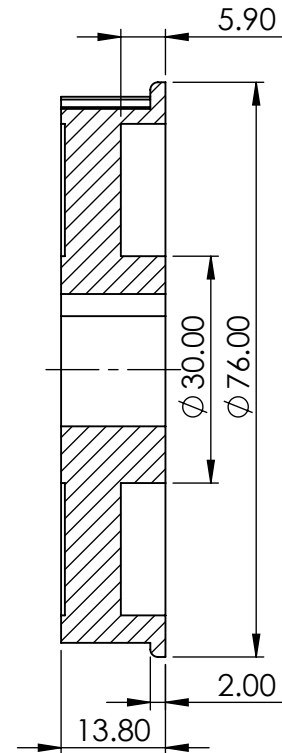
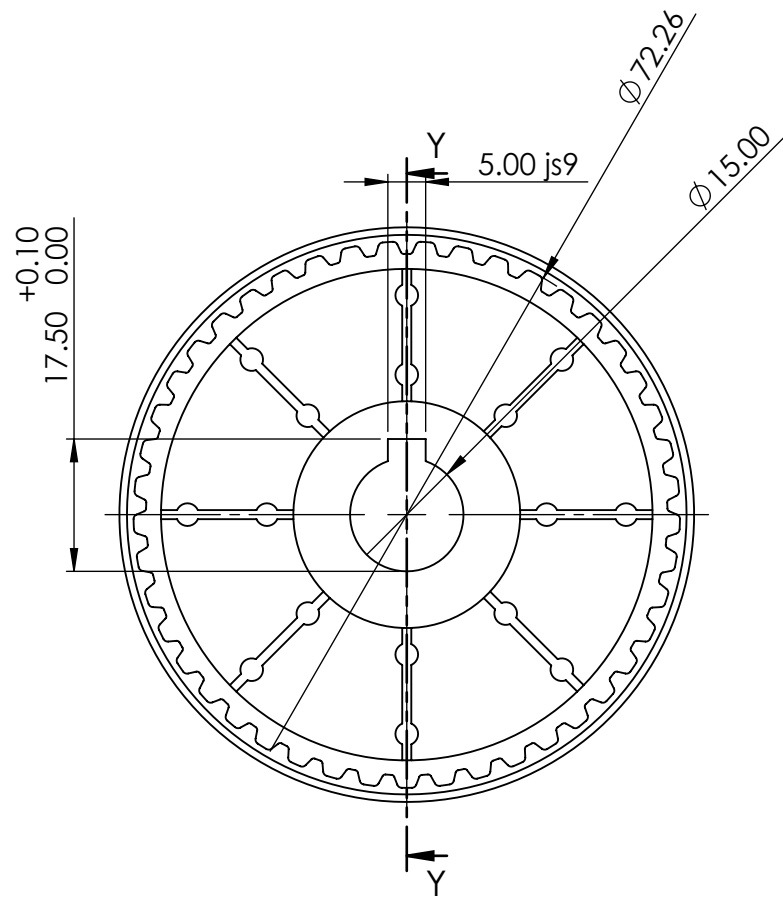


CREATED DATE

23/2/22



SECTION Y-Y

GENERAL TOLERANCE'S FOR DIMENSIONS AND FORM POSITION (Ref. ISO 2768 sk)

DEVIATIONS FOR RADI AND CHAMFERS  
RANGE OF NOMINAL DIMENSIONS

DEVIATIONS FOR GEOMETRY

NAME	DATE
DRAWN MANOJ	23/2/22
CHK'D MILLIND	23/2/22
APPVD KARVE	23/2/22

TUFF PLAST PUNE PVT. LTD.

DATE REVISION

MODEL NAME

45XL 'A' PULLEY

DWG NO./PART NO. XL-045-A-PRT-H-23.22

	DEVIATIONS FOR LINEAR DIMENSIONS					DEVIATIONS FOR ANGULAR DIMENSIONS							
	RANGE OF NOMINAL DIEMENSIONS					RANGE OF NOMINAL DIEMENSIONS							
ABOVE	0.5	3	6	30	120	31.5	1000	2000	ABOVE	-	10	50	120
UPTO	3	6	30	120	315	1000	2000	4000	UPTO	10	50	120	-
TOL.	±0.1	±0.1	±0.2	±0.3	±0.5	±0.8	±1.2	±2	TOL.	±1°	±30'	±20'	±10'

RANGE OF NOMINAL DIMENSIONS	
0.5	3
6	30
120	315
1000	2000
4000	

RANGE OF NOMINAL DIMENSIONS	
10	30
100	300
1000	3000

RANGE OF NOMINAL DIMENSIONS	
10	30
100	300
1000	3000

PROPRIETARY & CONFIDENTIAL  
THE INFORMATION CONTAINED IN THIS  
DRAWING IS THE SOLE PROPERTY OF  
TUFFPLAST ANY REPRODUCTION IN PART IS  
PROHIBITED.

MATERIAL:  
ARNITE  
WEIGHT: 34.44Gram

DO NOT SCALE

SHEET 1 OF 1

A4