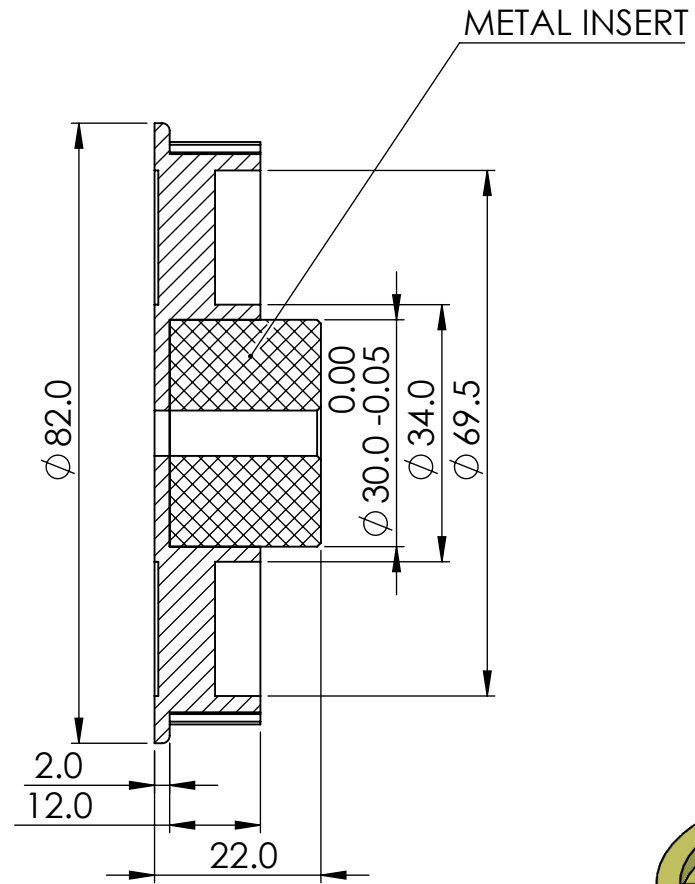
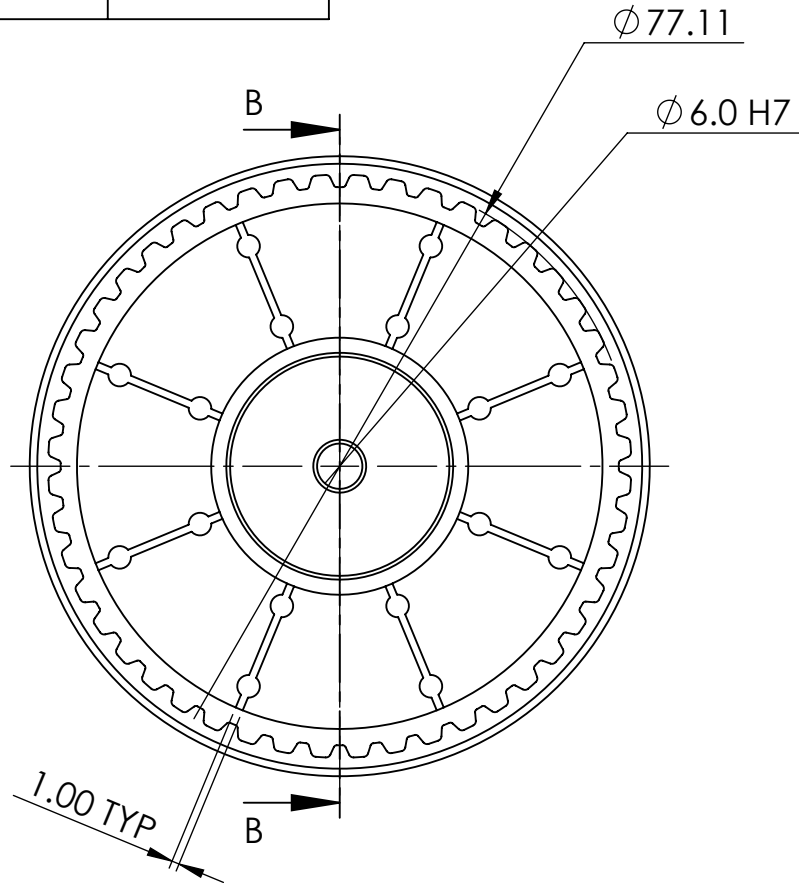
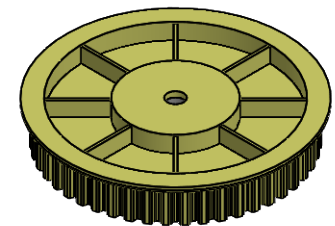


CREATED DATE

26/7/21



SECTION B-B



GENERAL TOLERANCE'S FOR DIMENSIONS AND FORM POSITION (Ref. ISO 2768 sk)

DEVIATIONS FOR RADI AND CHAMFERS
RANGE OF NOMINAL DIMENSIONS

DEVIATIONS FOR GEOMETRY

NAME	DATE
MANOJ	31/8/21
TUKARAM	31/8/21
KARVE	31/8/21

TUFF PLAST PUNE PVT. LTD.

DATE REVISION

MODEL NAME
48XL pulley-insert

DWG NO./PART NO.
XL-048-B-PRT-H-07.21

A4

	DEVIATIONS FOR LINEAR DIMENSIONS					DEVIATIONS FOR ANGULAR DIMENSIONS							
	RANGE OF NOMINAL DIMENSIONS					RANGE OF NOMINAL DIMENSIONS							
ABOVE	0.5	3	6	30	120	315	1000	2000	ABOVE	-	10	50	120
UPTO	3	6	30	120	315	1000	2000	4000	UPTO	10	50	120	-
TOL.	±0.1	±0.1	±0.2	±0.3	±0.5	±0.8	±1.2	±2	TOL.	±1°	±30'	±20'	±10'

DEVIATIONS FOR RADI AND CHAMFERS RANGE OF NOMINAL DIMENSIONS				
0.5	3	6	30	120
TOL. ±0.2	±0.5	±1	±2	

DEVIATIONS FOR GEOMETRY						
ABOVE	10	30	100	300	1000	
UPTO	10	30	100	300	1000	3000
—□	0.05	0.1	0.2	0.4	0.6	0.8
≡	0.4	0.4	0.4	0.6	0.8	1
≡	0.6	0.6	0.6	0.6	0.8	1
↗	0.2	0.2	0.2	0.2	0.2	0.2

IF IN DOUBT, ASK

PROPRIETARY & CONFIDENTIAL
THE INFORMATION CONTAINED IN THIS
DRAWING IS THE SOLE PROPERTY OF
TUFFPLAST ANY REPRODUCTION IN PART IS
PROHIBITED.

MATERIAL:
ARNITE
WEIGHT: 52.34Gram
DO NOT SCALE

SHEET 1 OF 1