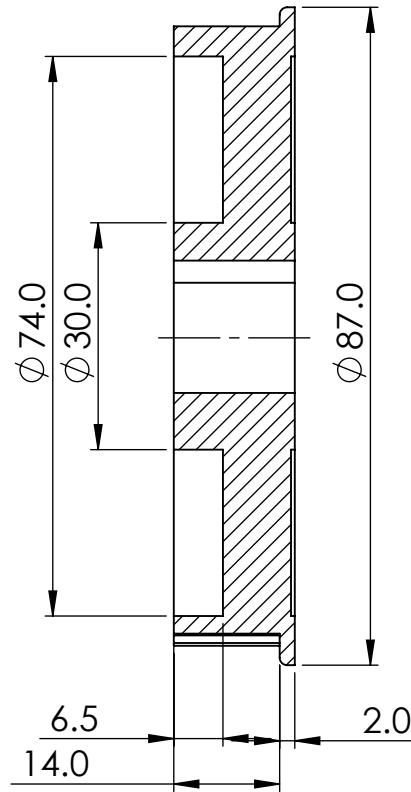
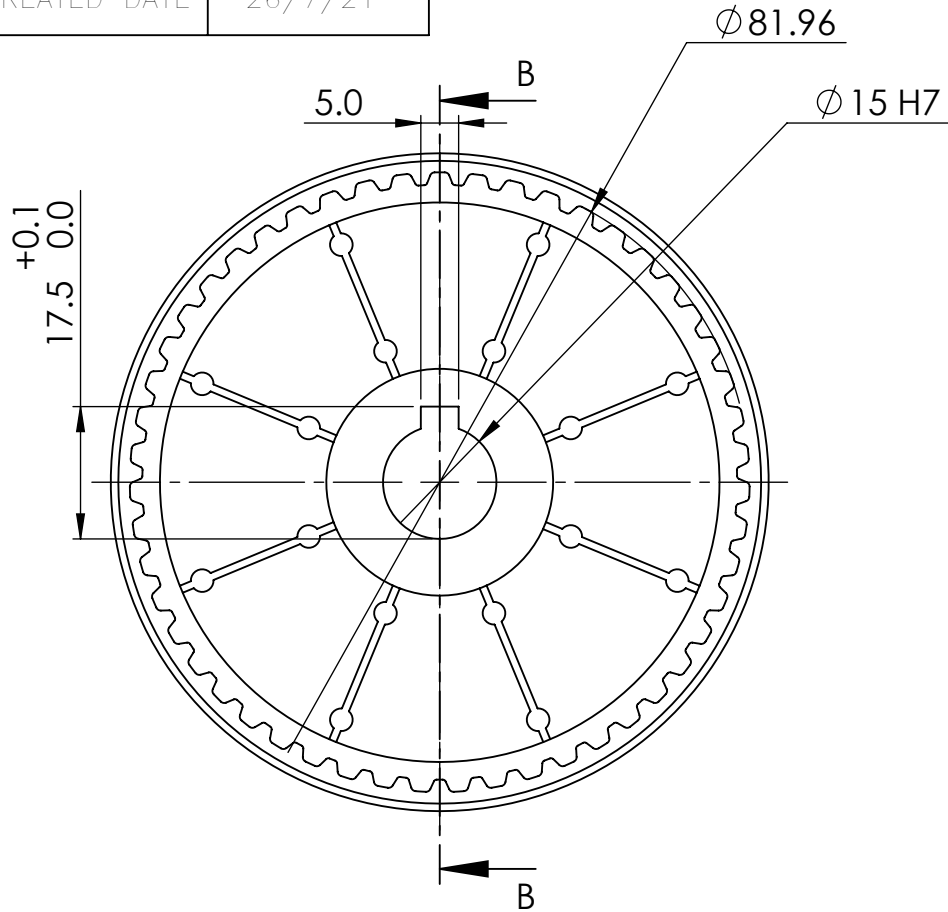
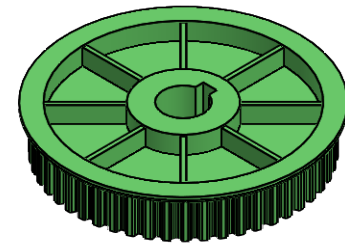


CREATED DATE

26/7/21



SECTION B-B



GENERAL TOLERANCE'S FOR DIMENSIONS AND FORM POSITION (Ref. ISO 2768 sk)

DEVIATIONS FOR RADI AND CHAMFERS
RANGE OF NOMINAL DIMENSIONS

DEVIATIONS FOR GEOMETRY

NAME	DATE
DRAWN MANOJ	26/7/21
CHK'D TUKARAM	26/7/21
APP'VD MILLIND	26/7/21

TUFF PLAST PUNE PVT. LTD.

DATE REVISION

MODEL NAME

51XL A type

DWG NO./PART NO.

XL-051-A-PRT-H-07.21

MATERIAL: ARNITE
WEIGHT: 51.81 Gram
DO NOT SCALE

PROPRIETARY & CONFIDENTIAL
THE INFORMATION CONTAINED IN THIS DRAWING IS THE SOLE PROPERTY OF TUFFPLAST ANY REPRODUCTION IN PART IS PROHIBITED.

	DEVIATIONS FOR LINEAR DIMENSIONS								DEVIATIONS FOR ANGULAR DIMENSIONS				TOL.				
	RANGE OF NOMINAL DIMENSIONS				RANGE OF NOMINAL DIMENSIONS				RANGE OF NOMINAL DIMENSIONS								
ABOVE	0.5	3	6	30	120	315	1000	2000	ABOVE	-	10	50	120	±0.2	±0.5	±1	±2
UPTO	3	6	30	120	315	1000	2000	4000	UPTO	10	50	120	-	IF IN DOUBT. ASK			
TOL.	±0.1	±0.1	±0.2	±0.3	±0.5	±0.8	±1.2	±2	TOL.	±1°	±30'	±20'	±10'				

6

5

4

3

2

1

A

A

A4

SHEET 1 OF 1