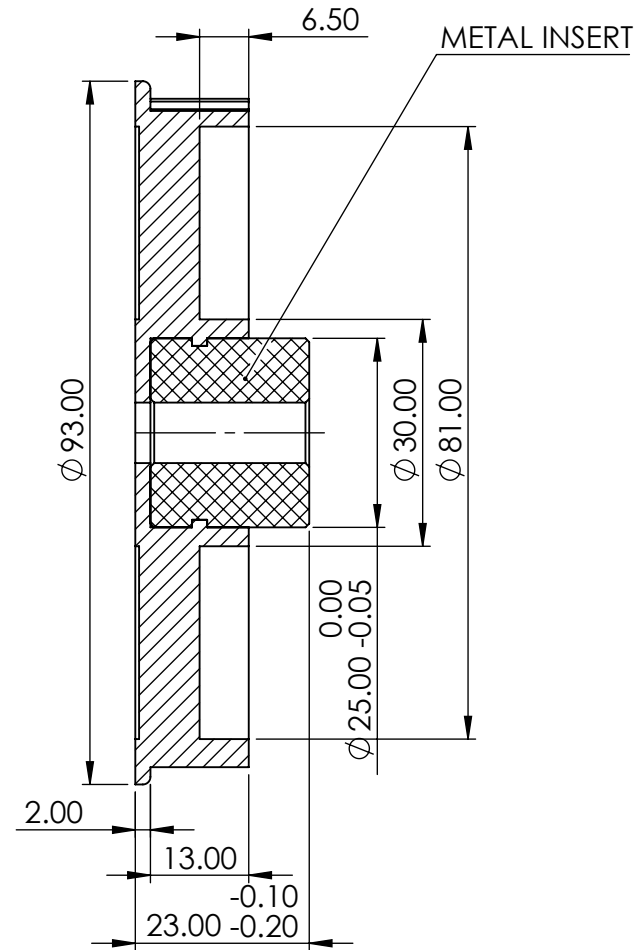
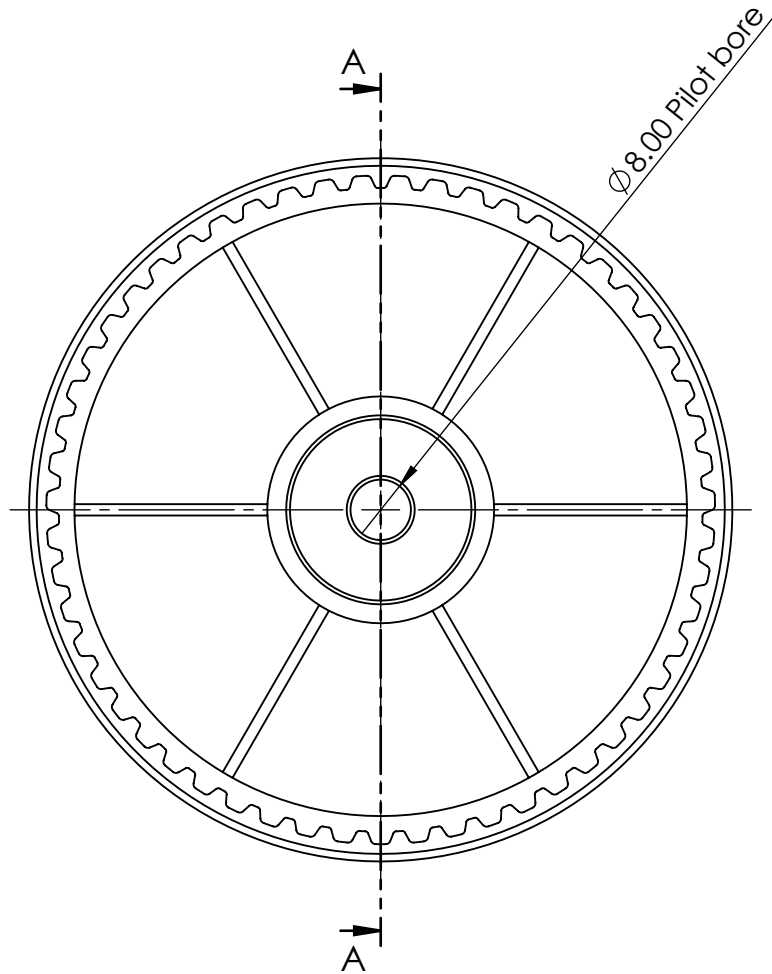


CREATED DATE

28/2/22



**SECTION A-A**

GENERAL TOLERANCE'S FOR DIMENSIONS AND FORM POSITION (Ref. ISO 2768 sk)

DEVIATIONS FOR RADI AND CHAMFERS

DEVIATIONS FOR GEOMETRY

NAME DATE

DRAWN MANOJ 28/2/22

TUFF PLAST PUNE PVT. LTD.

DEVIATIONS FOR LINEAR DIMENSIONS

DEVIATIONS FOR ANGULAR DIMENSIONS

ABOVE 10 30 100 300 1000

CHK'D MILLIND 28/2/22

APPVD KARVE 28/2/22

DATE REVISION

RANGE OF NOMINAL DIEMENSIONS

RANGE OF NOMINAL DIEMENSIONS

UPTO 10 30 100 300 1000 3000

PROPRIETARY & CONFIDENTIAL

MATERIAL:

MODEL NAME

ABOVE 0.5 3 6 30 120 315 1000 2000

ABOVE - 10 50 120

0.4 0.4 0.4 0.6 0.8 1

THE INFORMATION CONTAINED IN THIS

WEIGHT:

55 XL pulley

UPTO 3 6 30 120 315 1000 2000 4000

UPTO 10 50 120 -

0.6 0.6 0.6 0.6 0.8 1

DRAWING IS THE SOLE PROPERTY OF

DO NOT SCALE

DWG NO./PART NO.

TOL. ±0.1 ±0.1 ±0.2 ±0.3 ±0.5 ±0.8 ±1.2 ±2

TOL. ±1° ±30' ±20' ±10'

0.2 0.2 0.2 0.2 0.2 0.2

PROHIBITED.

Ø

XL-055-B-PRT-H-28.22

IF IN DOUBT, ASK

A4 SHEET 1 OF 1