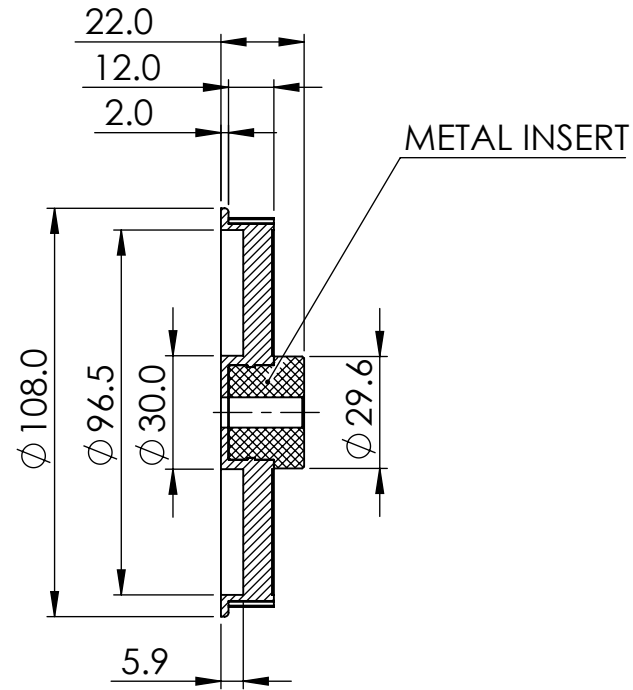
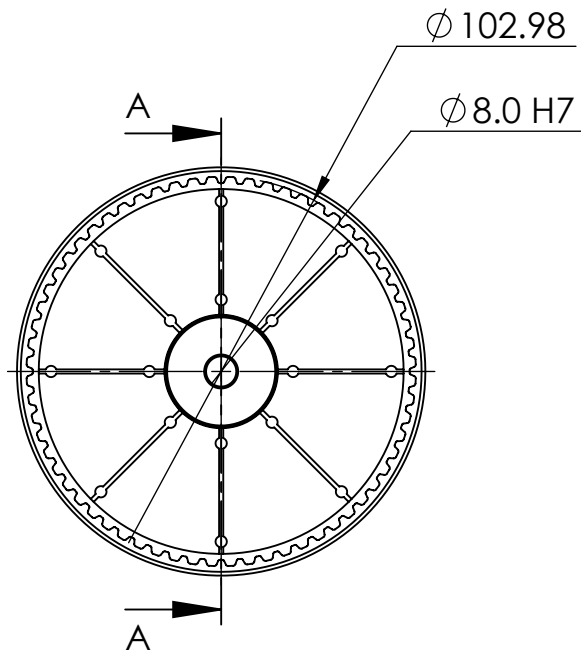
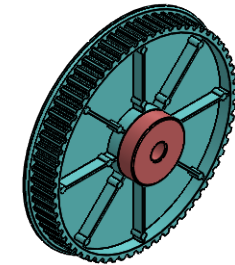


CREATED DATE

25/10/21



SECTION A-A



GENERAL TOLERANCE'S FOR DIMENSIONS AND FORM POSITION (Ref. ISO 2768 sk)

DEVIATIONS FOR RADI AND CHAMFERS
RANGE OF NOMINAL DIMENSIONS

DEVIATIONS FOR GEOMETRY

NAME	DATE
MANOJ	25/10/21
CHK'D	TUKARAM
APP'VD	KARVE
DATE	25/10/21

TUFF PLAST PUNE PVT. LTD.

DATE REVISION

MODEL NAME
64XL pulley-insert

DWG NO./PART NO.
XL-064-B-PRT-H-10.21

SHEET 1 OF 1

	DEVIATIONS FOR LINEAR DIMENSIONS								DEVIATIONS FOR ANGULAR DIMENSIONS				
	RANGE OF NOMINAL DIMENSIONS								RANGE OF NOMINAL DIMENSIONS				
ABOVE	0.5	3	6	30	120	315	1000	2000	ABOVE	-	10	50	120
UPTO	3	6	30	120	315	1000	2000	4000	UPTO	10	50	120	-
TOL.	± 0.1	± 0.1	± 0.2	± 0.3	± 0.5	± 0.8	± 1.2	± 2	TOL.	$\pm 1^\circ$	$\pm 30'$	$\pm 20'$	$\pm 10'$

DEVIATIONS FOR RADI AND CHAMFERS RANGE OF NOMINAL DIMENSIONS				
ABOVE	0.5	3	6	30
UPTO	3	6	30	120
TOL.	± 0.2	± 0.5	± 1	± 2

	DEVIATIONS FOR GEOMETRY						
	ABOVE	UPTO	0.05	0.1	0.2	0.4	0.6
—	0.4	0.4	0.4	0.6	0.8	1	1
≡	0.6	0.6	0.6	0.6	0.8	1	1
/	0.2	0.2	0.2	0.2	0.2	0.2	0.2

PROPRIETARY & CONFIDENTIAL
THE INFORMATION CONTAINED IN THIS
DRAWING IS THE SOLE PROPERTY OF
TUFFPLAST ANY REPRODUCTION IN PART IS
PROHIBITED.

MATERIAL:
WEIGHT: Gram
DO NOT SCALE

A4