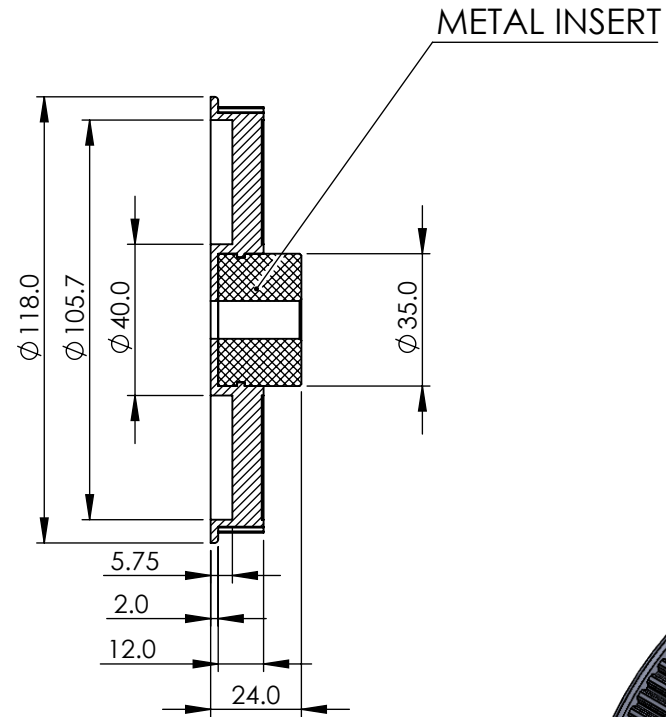
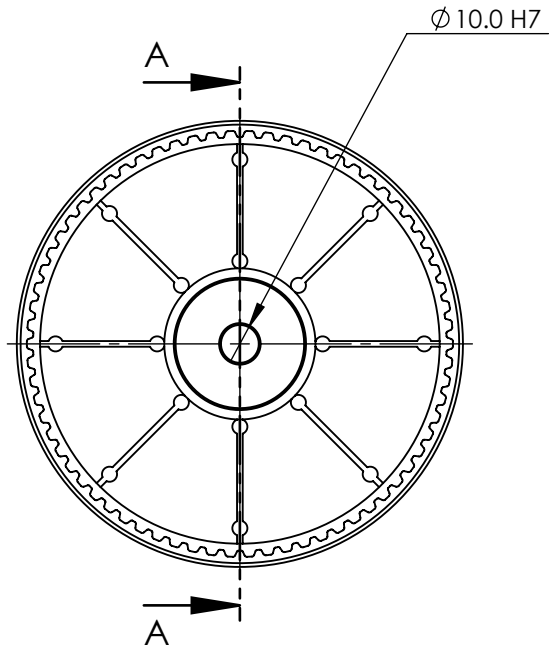
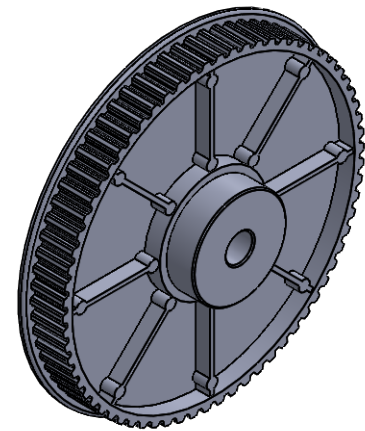


CREATED DATE

30/11/21



SECTION A-A



GENERAL TOLERANCE'S FOR DIMENSIONS AND FORM POSITION (Ref. ISO 2768 sk)

DEVIATIONS FOR RADI AND CHAMFERS
RANGE OF NOMINAL DIMENSIONS

DEVIATIONS FOR GEOMETRY

NAME	DATE
MANOJ	30/11/21
MILLIND	30/11/21
KARVE	30/11/21

TUFF PLAST PUNE PVT. LTD.

DATE REVISION

MODEL NAME
70XL pulley-insert

DWG NO./PART NO.
XL-070-B-PRT-H-11.21

WEIGHT: Gram
DO NOT SCALE

	DEVIATIONS FOR LINEAR DIMENSIONS					DEVIATIONS FOR ANGULAR DIMENSIONS							
	RANGE OF NOMINAL DIEMENSIONS					RANGE OF NOMINAL DIEMENSIONS							
ABOVE	0.5	3	6	30	120	315	1000	2000	ABOVE	-	10	50	120
UPTO	3	6	30	120	315	1000	2000	4000	UPTO	10	50	120	-
TOL.	±0.1	±0.1	±0.2	±0.3	±0.5	±0.8	±1.2	±2	TOL.	±1°	±30'	±20'	±10'

DEVIATIONS FOR RADI AND CHAMFERS RANGE OF NOMINAL DIMENSIONS				
ABOVE	0.5	3	6	30
UPTO	3	6	30	120
TOL.	±0.2	±0.5	±1	±2

DEVIATIONS FOR GEOMETRY						
ABOVE	10	30	100	300	1000	
UPTO	10	30	100	300	1000	3000
PROF	0.05	0.1	0.2	0.4	0.6	0.8
CON	0.4	0.4	0.4	0.6	0.8	1
IR	0.6	0.6	0.6	0.6	0.8	1
AS	0.2	0.2	0.2	0.2	0.2	0.2

IF IN DOUBT, ASK

PROPRIETARY & CONFIDENTIAL
THE INFORMATION CONTAINED IN THIS
DRAWING IS THE SOLE PROPERTY OF
TUFFPLAST ANY REPRODUCTION IN PART IS
PROHIBITED.

MATERIAL:
WEIGHT: Gram
DO NOT SCALE

SHEET 1 OF 1

A4