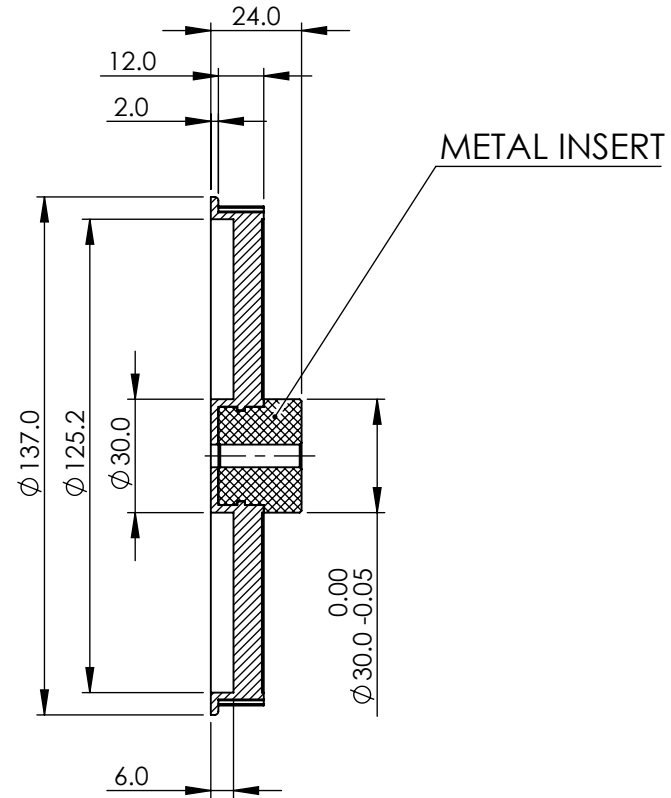
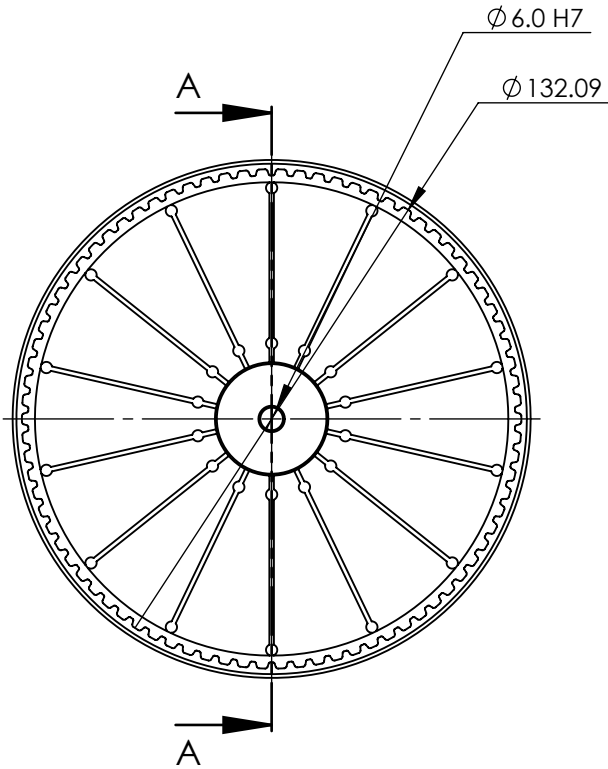
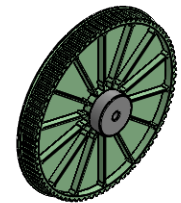


CREATED DATE

4/12/21



SECTION A-A



GENERAL TOLERANCE'S FOR DIMENSIONS AND FORM POSITION (Ref. ISO 2768 sk)

DEVIATIONS FOR RADI AND CHAMFERS
RANGE OF NOMINAL DIMENSIONS

DEVIATIONS FOR GEOMETRY

NAME	DATE
DRAWN MANOJ	4/12/21
CHK'D MILLIND	4/12/21
APPVD KARVE	4/12/21

TUFF PLAST PUNE PVT. LTD.

DATE REVISION

MODEL NAME
82XL pulley-insert

DWG NO./PART NO.
XL-082-B-PRT-H-12.21

WEIGHT: Gram
DO NOT SCALE

	DEVIATIONS FOR LINEAR DIMENSIONS								DEVIATIONS FOR ANGULAR DIMENSIONS				
	RANGE OF NOMINAL DIEMENSIONS								RANGE OF NOMINAL DIEMENSIONS				
ABOVE	0.5	3	6	30	120	315	1000	2000	ABOVE	-	10	50	120
UPTO	3	6	30	120	315	1000	2000	4000	UPTO	10	50	120	-
TOL.	±0.1	±0.1	±0.2	±0.3	±0.5	±0.8	±1.2	±2	TOL.	±1°	±30'	±20'	±10'

DEVIATIONS FOR RADI AND CHAMFERS RANGE OF NOMINAL DIMENSIONS				
0.5	3	6	30	120
TOL.	±0.2	±0.5	±1	±2

	DEVIATIONS FOR GEOMETRY					
	ABOVE	10	30	100	300	1000
UPTO	10	30	100	300	1000	3000
—□	0.05	0.1	0.2	0.4	0.6	0.8
—≡	0.4	0.4	0.4	0.6	0.8	1
—≡	0.6	0.6	0.6	0.6	0.8	1
↗	0.2	0.2	0.2	0.2	0.2	0.2

PROPRIETARY & CONFIDENTIAL
THE INFORMATION CONTAINED IN THIS
DRAWING IS THE SOLE PROPERTY OF
TUFFPLAST ANY REPRODUCTION IN PART IS
PROHIBITED.

MATERIAL:
WEIGHT: Gram
DO NOT SCALE

A4

SHEET 1 OF 1