

4

3

2

1

F

F

E

E

D

D

C

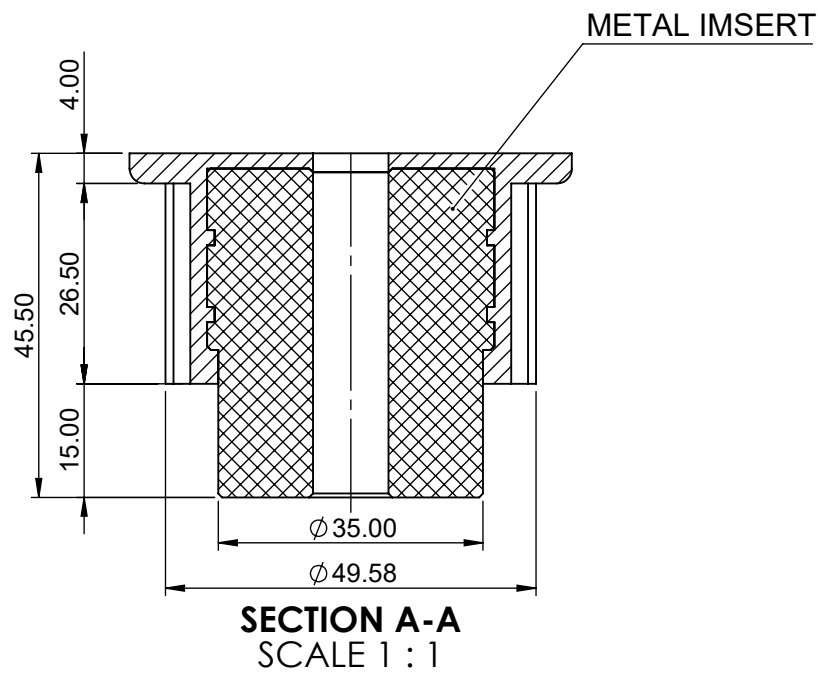
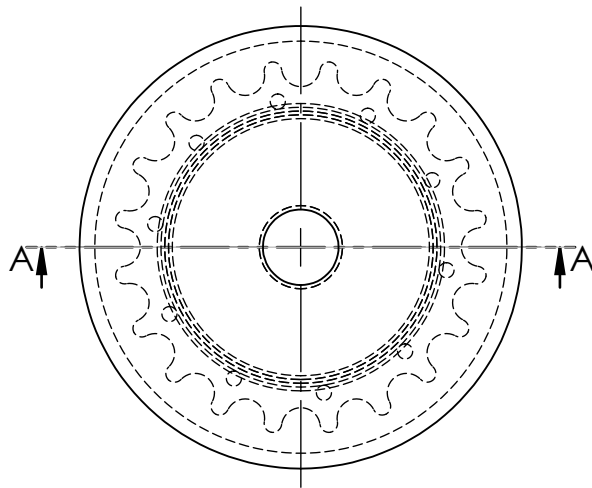
C

B

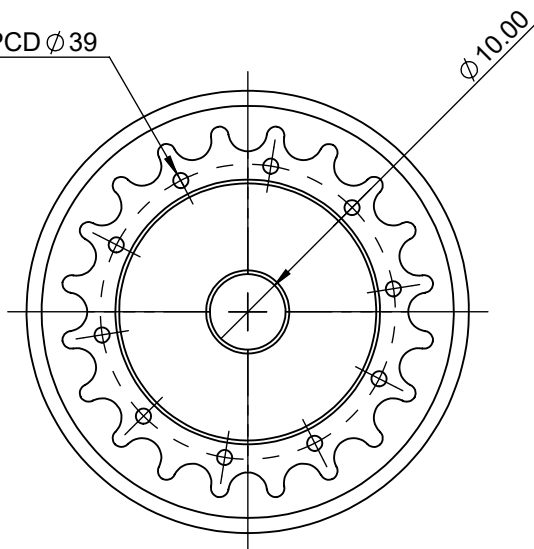
B

A

A



10 x \varnothing 2.00 ∇ 4.00 @ PCD \varnothing 39



GENERAL TOLERANCES FOR DIMENSIONS AND FORM POSITION (Ref. ISO 2768 sk)

RANGE OF NOMINAL DIMENSIONS		RANGE OF NOMINAL DIMENSIONS		RANGE OF NOMINAL DIMENSIONS	
ABOVE	0.5 3 6 30	ABOVE	10 50 120	ABOVE	10 50 120
UPTO	3 6 30 120	UPTO	30 100 300	UPTO	30 100 300
	120 315 1000 2000		1000 3000 10000 30000		10000 30000
	±0.1 ±0.2 ±0.3 ±0.5 ±0.8 ±1.2 ±2		±0.2 ±0.5 ±1 ±2		±0.2 ±0.5 ±1 ±2

DEVIATIONS FOR HOLE AND CHAMFER

RANGE OF NOMINAL DIMENSIONS		RANGE OF NOMINAL DIMENSIONS	
ABOVE	0.5 3 6 30	ABOVE	10 50 120
UPTO	3 6 30 120	UPTO	30 100 300
	120 315 1000 2000		1000 3000 10000 30000
	±0.2 ±0.5 ±1 ±2		±0.2 ±0.5 ±1 ±2

DEVIATIONS FOR GEOMETRY

RANGE OF NOMINAL DIMENSIONS		RANGE OF NOMINAL DIMENSIONS	
ABOVE	10 30 100 300 1000	ABOVE	10 50 120
UPTO	30 100 300 1000 3000	UPTO	30 100 300
	1000 3000 10000 30000		1000 3000 10000 30000
	±0.2 ±0.5 ±1 ±2		±0.2 ±0.5 ±1 ±2

IF IN DOUBT, ASK

TOL ±1* ±30' ±20' ±10'

PROHIBITED.



MODEL NAME:- 20-8M PULLEY

DWG NO.-: 20-8M PULLEY

DATE	REVISION	SHEET 1 OF 1
PROPRIETARY & CONFIDENTIAL		
THE INFORMATION CONTAINED IN THIS DRAWING IS THE SOLE PROPERTY OF TUFFPLAST ANY REPRODUCTION IN PART IS PROHIBITED.		

NAME	DATE
DRAWN MANOJ	29/5/22
CHK'D TUKARAM	29/5/22
APPV'D MILLIND	29/5/22

MATERIAL:	Material <not specified>
WEIGHT:	64.03Gram

DO NOT SCALE

A4

4

3

2

1