

4

3

2

1

F

F

E

E

D

D

C

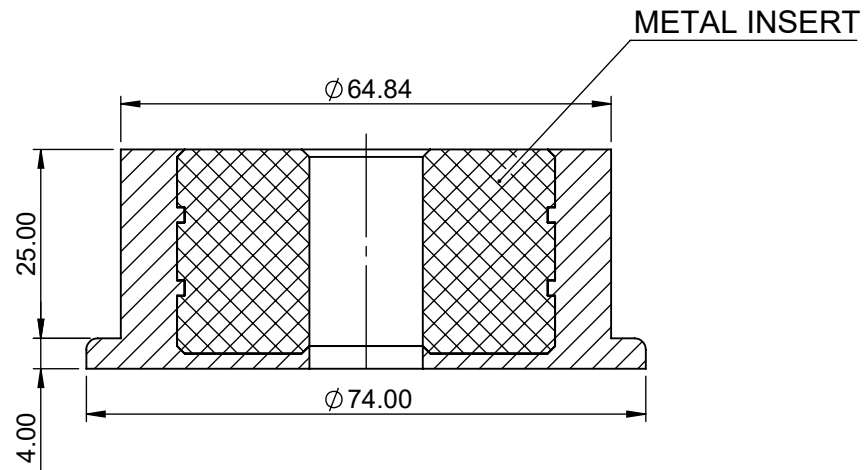
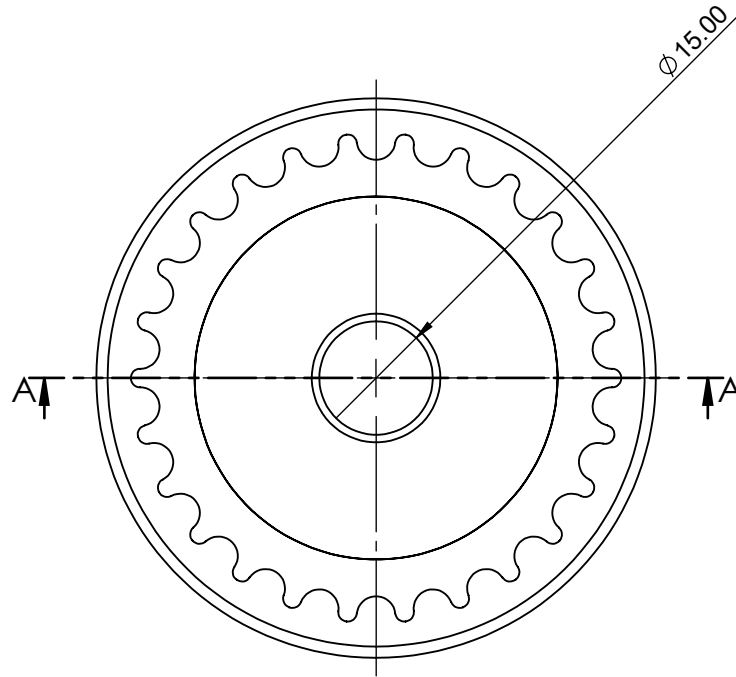
C

B

B

A

A



SECTION A-A

GENERAL TOLERANCES FOR DIMENSIONS AND FORM POSITION (Ref. ISO 2768 sk)

DEVIATIONS FOR LINEAR DIMENSIONS		DEVIATIONS FOR ANGULAR DIMENSIONS	
RANGE OF NOMINAL DIMENSIONS		RANGE OF NOMINAL DIMENSIONS	
ABOVE	0.5 3 6 30 120 315 1000 2000	ABOVE	- 10 50 120
UPTO	3 6 30 120 315 1000 2000 4000	UPTO	10 50 120 -
TOL	±0.1 ±0.2 ±0.3 ±0.5 ±0.8 ±1.2 ±2	TOL	±1* ±30' ±20' ±10'

DEVIATIONS FOR HOLE AND CHAMFER

RANGE OF NOMINAL DIMENSIONS	
0.5 3 6 30	±0.2 ±0.5 ±1 ±2
3 6 30 120	±0.2 ±0.5 ±1 ±2

DEVIATIONS FOR GEOMETRY

RANGE OF NOMINAL DIMENSIONS		RANGE OF NOMINAL DIMENSIONS	
ABOVE	- 10 30 100 300 1000	UPTO	10 30 100 300 1000 3000
UPTO	10 30 100 300 1000 3000	UPTO	10 30 100 300 1000 3000
TOL	0.05 0.1 0.2 0.4 0.8 1	TOL	0.4 0.6 0.8 1
TOL	0.2 0.2 0.2 0.2 0.2	TOL	0.2 0.2 0.2 0.2 0.2



DATE	REVISION	NAME	DATE
		DRAWN	MANOJ 30/5/22
		CHK'D	TUKARAM 30/5/22
		APPV'D	MILLIND 30/5/22

NAME	DATE
DRAWN	MANOJ 30/5/22
CHK'D	TUKARAM 30/5/22
APPV'D	MILLIND 30/5/22

MODEL NAME:- 26-8M PULLEY 1 INCH

DWG NO.-: 26-8M PULLEY 1 INCH

DO NOT SCALE

Material <not specified>

WEIGHT:
84.11Gram

A4

4

3

2

1