

4

3

2

1

F

F

E

E

D

D

C

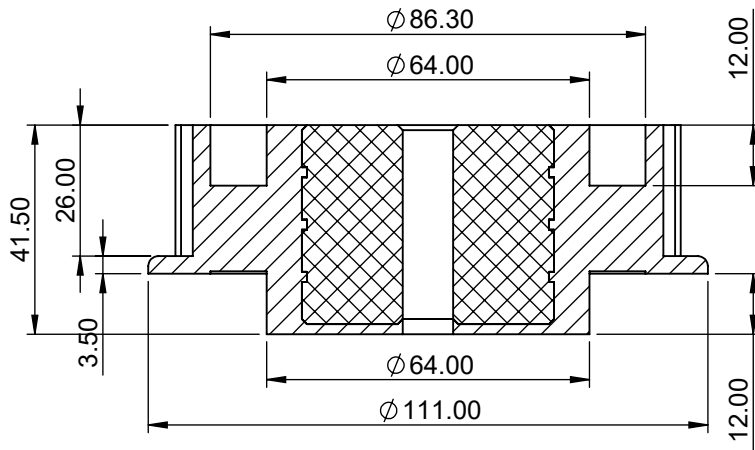
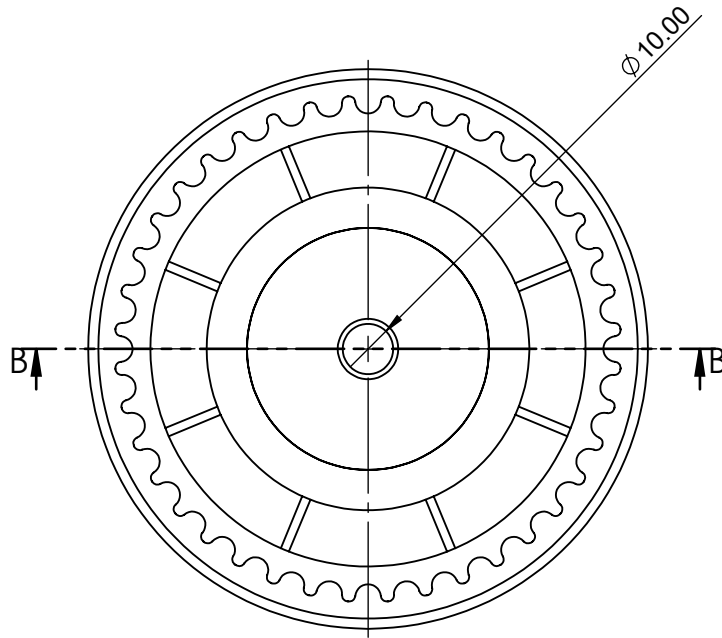
C

B

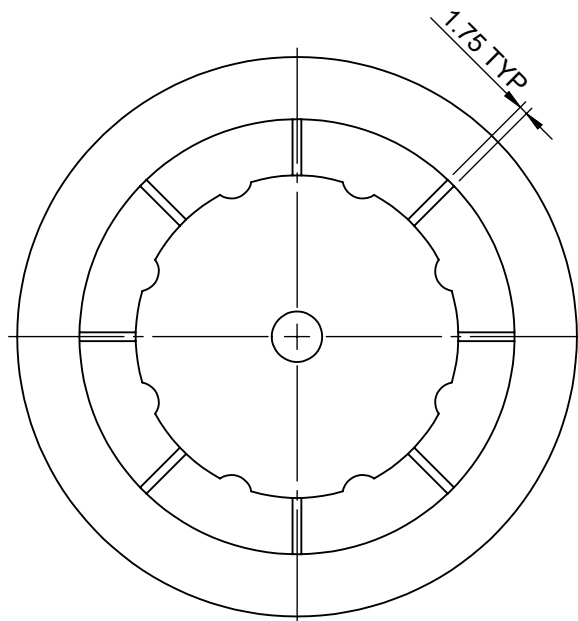
B

A

A



SECTION B-B



GENERAL TOLERANCES FOR DIMENSIONS AND FORM POSITION (Ref. ISO 2768 sk)

DEVIATIONS FOR LINEAR DIMENSIONS		DEVIATIONS FOR ANGULAR DIMENSIONS	
RANGE OF NOMINAL DIMENSIONS		RANGE OF NOMINAL DIMENSIONS	
ABOVE	0.5 3 6 30 120 315 1000 2000	ABOVE	- 10 50 120
UPTO	3 6 30 120 315 1000 2000 4000	UPTO	10 50 120 -
TOL	±0.1 ±0.2 ±0.3 ±0.5 ±0.8 ±1.2 ±2	TOL	±1° ±30' ±20' ±10'

DEVIATIONS FOR HOLE AND CHAMFER

RANGE OF NOMINAL DIMENSIONS			
0.5	3	6	30
3	6	30	120
TOL ±0.2 ±0.5 ±1 ±2			
IF IN DOUBT, ASK			

DEVIATIONS FOR GEOMETRY

RANGE OF NOMINAL DIMENSIONS		RANGE OF NOMINAL DIMENSIONS	
ABOVE	10 30 100 300 1000	ABOVE	10 30 100 300 1000
UPTO	10 30 100 300 1000 3000	UPTO	10 30 100 300 1000 3000
TOL	0.05 0.1 0.2 0.4 0.8 1	TOL	0.4 0.6 0.8 1
TOL	0.2 0.2 0.2 0.2 0.2	TOL	0.2 0.2 0.2 0.2



DATE	REVISION	NAME	DATE
		DRAWN	MANOJ 30/5/22
		CHK'D	TUKARAM 30/5/22
		APPV'D	MILLIND 30/5/22
SHEET 1 OF 1		MATERIAL:	

MODEL NAME:- 40-8M 'C' TYPE  
 DWG NO.-: 40-8M 'C' TYPE PULLEY

DO NOT SCALE  
 WEIGHT: Gram  
 A4

4

3

2

1