

4

3

2

1

F

F

E

E

D

D

C

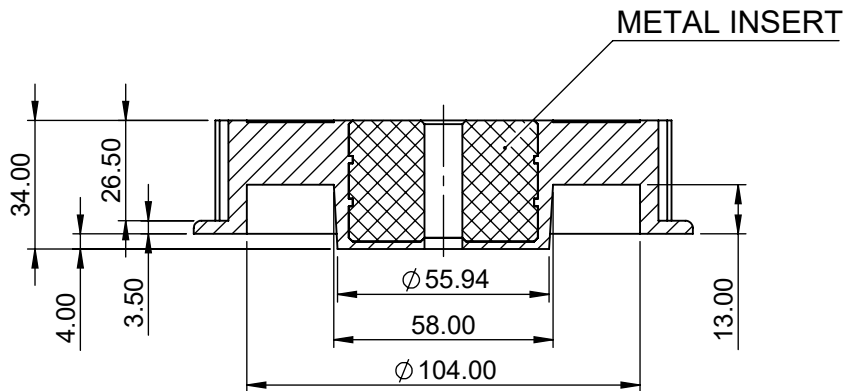
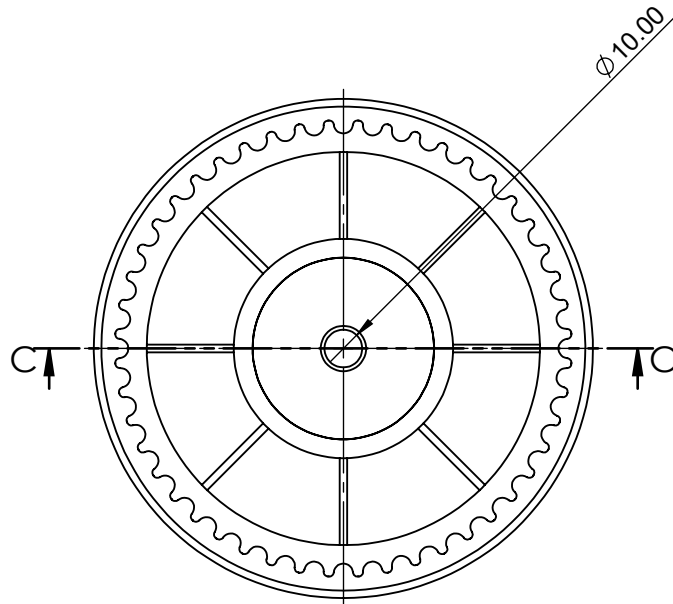
C

B

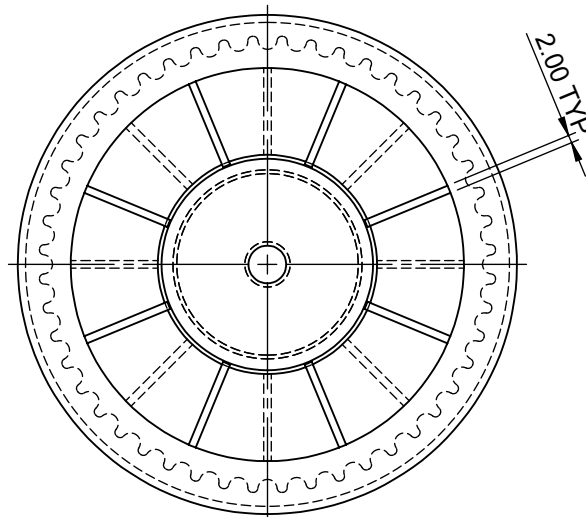
B

A

A



SECTION C-C
SCALE 1 : 2



GENERAL TOLERANCES FOR DIMENSIONS AND FORM POSITION (Ref. ISO 2768 sk)

DEVIATIONS FOR LINEAR DIMENSIONS		DEVIATIONS FOR ANGULAR DIMENSIONS	
RANGE OF NOMINAL DIMENSIONS		RANGE OF NOMINAL DIMENSIONS	
ABOVE	0.5 3 6 30 120 315 1000 2000	ABOVE	- 10 50 120
UPTO	3 6 30 120 315 1000 2000 4000	UPTO	10 50 120 -
TOL	±0.1 ±0.2 ±0.3 ±0.5 ±0.8 ±1.2 ±2	TOL	±1* ±30' ±20' ±10'

DEVIATIONS FOR RADI AND CHAMFER

RANGE OF NOMINAL DIMENSIONS	
0.5 3 6 30	UPTO
3 6 30 120	UPTO
TOL	±0.2 ±0.5 ±1 ±2

DEVIATIONS FOR GEOMETRY

RANGE OF NOMINAL DIMENSIONS	
ABOVE	10 30 100 300 1000
UPTO	10 30 100 300 1000 3000
TOL	0.05 0.1 0.2 0.4 0.8 1
≡	0.6 0.6 0.6 0.6 0.8 1
/	0.2 0.2 0.2 0.2 0.2 0.2



MODEL NAME:- 48-8M-D-TYPE PULLEY
DWG NO.-: 48-8M-D-TYPE PULLEY

DATE	REVISION
PROPRIETARY & CONFIDENTIAL THE INFORMATION CONTAINED IN THIS DRAWING IS THE SOLE PROPERTY OF TUFFPLAST ANY REPRODUCTION IN PART IS PROHIBITED.	SHEET 1 OF 1

NAME	DATE
DRAWN MANOJ	31/5/22
CHK'D TUKARAM	31/5/22
APPV'D MILLIND	31/5/22
MATERIAL:	
Material <not specified>	
WEIGHT:	
194.62Gram	

DO NOT SCALE

A4

4

3

2

1