

4

3

2

1

F

F

E

E

D

D

C

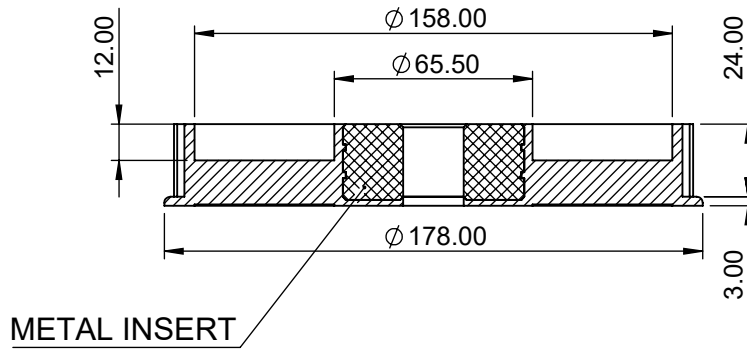
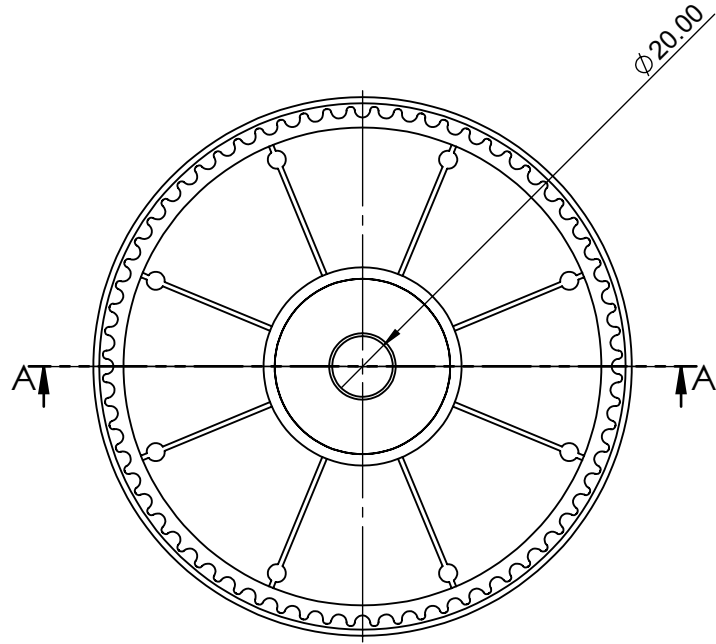
C

B

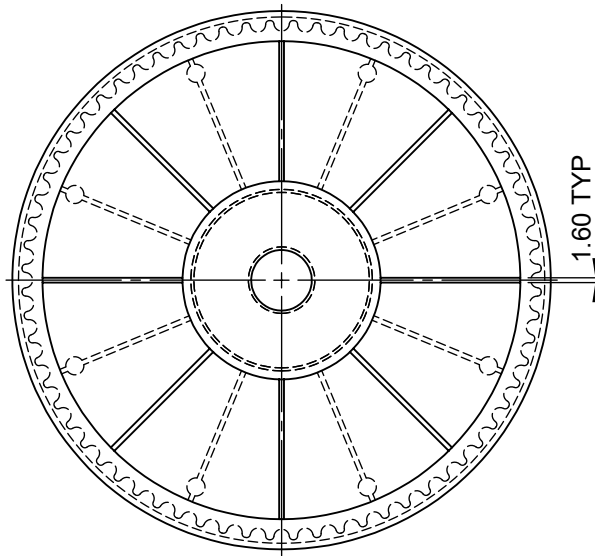
B

A

A



**SECTION A-A**



GENERAL TOLERANCES FOR DIMENSIONS AND FORM POSITION (Ref. ISO 2768 sk)		DEVIATIONS FOR ANGULAR DIMENSIONS		RANGE OF NOMINAL DIMENSIONS			DEVIATIONS FOR GEOMETRY								
RANGE OF NOMINAL DIMENSIONS		RANGE OF NOMINAL DIMENSIONS		RANGE OF NOMINAL DIMENSIONS			RANGE OF NOMINAL DIMENSIONS								
ABOVE	0.5   3   6   30   120   315   1000   2000	ABOVE	-   10   50   120	0.5	3	6	30	10	30	100	300	1000			
UPTO	3   6   30   120   315   1000   2000   4000	UPTO	10   50   120   -	3	6	30	120	UPTO	10	30	100	300	1000	3000	
TOL	±0.1   ±0.2   ±0.3   ±0.5   ±0.8   ±1.2   ±2	TOL	±1*   ±30*   ±20'   ±10'	IF IN DOUBT, ASK			±0.2	±0.5	±1	±2	0.05	0.1	0.2	0.4	0.8



MODEL NAME:- 68-8M PULLEY  
 DWG NO.-: 68-8M PULLEY

DATE	REVISION	SHEET 1 OF 1
PROPRIETARY & CONFIDENTIAL THE INFORMATION CONTAINED IN THIS DRAWING IS THE SOLE PROPERTY OF TUFFPLAST ANY REPRODUCTION IN PART IS PROHIBITED.		

NAME	DATE
DRAWN MANOJ	4/6/22
CHK'D TUKARAM	4/6/22
APPV'D MILLIND	4/6/22
MATERIAL:	
Material <not specified>	
WEIGHT:	
221.48Gram	

DO NOT SCALE

A4

4

3

2

1